

## Data Sheet - Flange dimensions

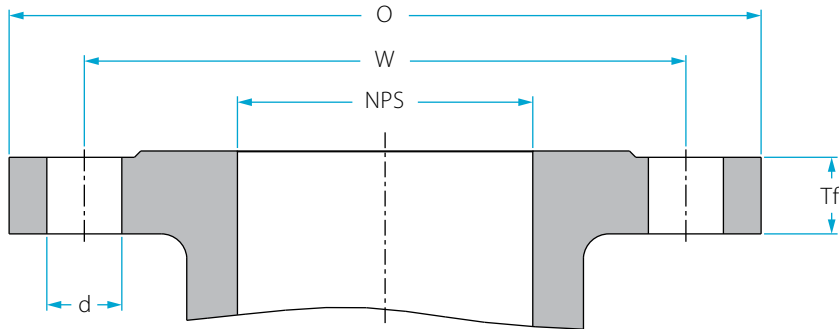
Flange Dimensions

## Flange dimensions

ANSI B16.5

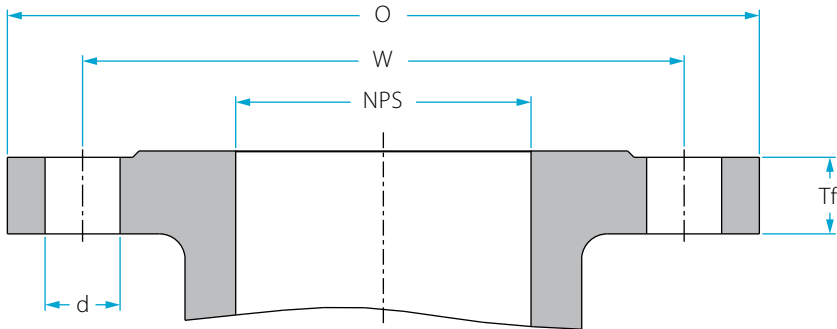
DIN EN1092

### ANSI B16.5 | Class 150



NPS Nominal Pipe Size	O		W		Tf		d		Number holes
	mm	inch	mm	inch	mm	inch	mm	inch	
1/2"	90.00	3.54	60.30	2.37	9.60	0.38	15.88	5/8	4
3/4"	100.00	3.94	69.90	2.75	11.20	0.44	15.88	5/8	4
1"	110.00	4.33	79.40	3.13	12.70	0.50	15.88	5/8	4
1 1/4"	115.00	4.53	88.90	3.50	14.30	0.56	15.88	5/8	4
1 1/2"	125.00	4.92	98.40	3.87	15.90	0.63	15.88	5/8	4
2"	150.00	5.91	120.70	4.75	17.50	0.69	19.05	3/4	4
2 1/2"	180.00	7.09	139.70	5.50	20.70	0.81	19.05	3/4	4
3"	190.00	7.48	152.40	6.00	22.30	0.88	19.05	3/4	4
3 1/2"	215.00	8.46	177.80	7.00	22.30	0.88	19.05	3/4	8
4"	230.00	9.06	190.50	7.50	22.30	0.88	19.05	3/4	8
5"	255.00	10.04	215.90	8.50	22.30	0.88	22.23	7/8	8
6"	280.00	11.02	241.30	9.50	23.90	0.94	22.23	7/8	8
8"	345.00	13.58	298.50	11.75	27.00	1.06	22.23	7/8	8
10"	405.00	15.94	362.00	14.25	28.60	1.13	25.40	1	12
12"	485.00	19.09	431.80	17.00	30.20	1.19	25.40	1	12
14"	535.00	21.06	476.30	18.75	33.40	1.31	28.58	1 1/8	12
16"	595.00	23.43	539.80	21.25	35.00	1.38	28.58	1 1/8	16
18"	635.00	25.00	577.90	22.75	38.10	1.50	31.75	1 1/4	16
20"	700.00	27.56	635.00	25.00	41.30	1.63	31.75	1 1/4	20
24"	815.00	32.09	749.30	29.50	46.10	1.81	31.75	1 3/8	20

ANSI B16.5 | Class 300



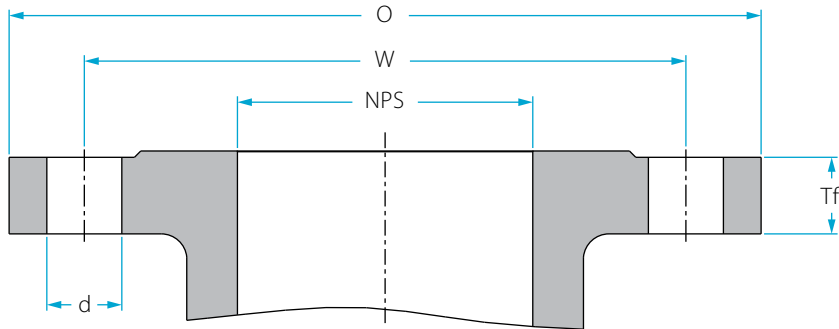
NPS Nominal Pipe Size	O		W		Tf		d		Number holes
	mm	inch	mm	inch	mm	inch	mm	inch	
1/2"	95.00	3.74	66.70	2.63	12.70	0.50	15.88	5/8	4
3/4"	115.00	4.53	82.60	3.25	14.30	0.56	19.05	3/4	4
1"	125.00	4.92	88.90	3.50	15.90	0.63	19.05	3/4	4
1 1/4"	135.00	5.31	98.40	3.87	17.50	0.69	19.05	3/4	4
1 1/2"	155.00	6.10	114.30	4.50	19.10	0.75	22.23	7/8	4
2"	165.00	6.50	127.00	5.00	20.70	0.81	19.05	5/8	8
2 1/2"	190.00	7.48	149.20	5.87	23.90	0.94	22.23	5/8	8
3"	210.00	8.27	168.30	6.63	27.00	1.06	22.23	5/8	8
3 1/2"	230.00	9.06	184.20	7.25	28.60	1.13	22.23	5/8	8
4"	255.00	10.04	200.00	7.87	30.20	1.19	22.23	5/8	8
5"	280.00	11.02	235.00	9.25	33.40	1.31	22.23	5/8	8
6"	320.00	12.60	269.90	10.63	35.00	1.38	22.23	5/8	12
8"	380.00	14.96	330.20	13.00	39.70	1.56	25.40	1	12
10"	445.00	17.52	387.40	15.25	46.10	1.81	28.58	1 1/8	16
12"	520.00	20.47	450.80	17.75	49.30	1.94	31.75	1 1/4	16
14"	585.00	23.03	514.40	20.25	52.40	2.06	31.75	1 1/4	20
16"	650.00	25.59	571.50	22.50	55.60	2.19	34.93	1 3/8	20
18"	710.00	27.95	628.60	24.75	58.80	2.31	34.93	1 3/8	24
20"	775.00	30.51	685.80	27.00	62.00	2.44	34.93	1 3/8	24
24"	915.00	36.02	812.80	32.00	68.30	2.69	41.28	1 5/8	24

## Flange dimensions

ANSI B16.5

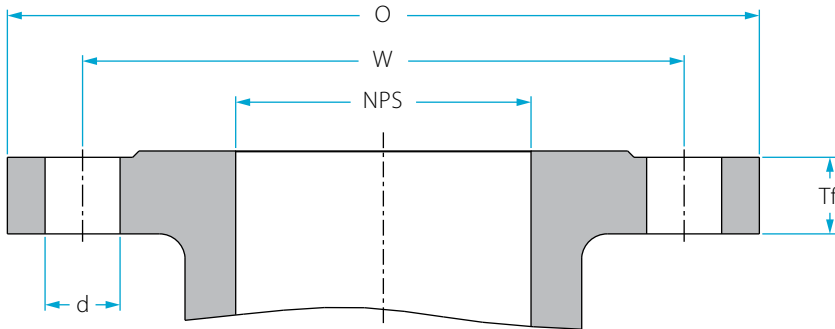
DIN EN1092

### ANSI B16.5 | Class 400



NPS Nominal Pipe Size	O		W		Tf		d		Number holes
	mm	inch	mm	inch	mm	inch	mm	inch	
1/2"	95.00	3.74	66.70	2.63	14.30	0.56	15.88	5/8	4
3/4"	115.00	4.53	82.60	3.25	15.90	0.63	19.05	3/4	4
1"	125.00	4.92	88.90	3.50	17.50	0.69	19.05	3/4	4
1 1/4"	135.00	5.31	98.40	3.87	20.70	0.81	19.05	3/4	4
1 1/2"	155.00	6.10	114.30	4.50	22.30	0.88	22.23	7/8	4
2"	165.00	6.50	127.00	5.00	25.40	1.00	19.05	3/4	8
2 1/2"	190.00	7.48	149.20	5.87	28.60	1.13	22.23	7/8	8
3"	210.00	8.27	168.30	6.63	31.80	1.25	22.23	7/8	8
3 1/2"	230.00	9.06	184.20	7.25	35.00	1.38	25.40	1	8
4"	255.00	10.04	200.00	7.87	35.00	1.38	25.40	1	8
5"	280.00	11.02	235.00	9.25	38.10	1.50	25.40	1	8
6"	320.00	12.60	269.90	10.63	41.30	1.63	25.40	1	12
8"	380.00	14.96	330.00	12.99	47.70	1.88	28.58	1 1/8	12
10"	445.00	17.52	387.40	15.25	54.00	2.13	31.75	1 1/4	16
12"	520.00	20.47	450.80	17.75	57.20	2.25	34.93	1 3/8	16
14"	585.00	23.03	514.40	20.25	60.40	2.38	34.93	1 3/8	20
16"	650.00	25.59	571.50	22.50	63.50	2.50	38.10	1 1/2	20
18"	710.00	27.95	628.60	24.75	66.70	2.63	38.10	1 1/2	24
20"	775.00	30.51	685.80	27.00	69.90	2.75	41.28	1 5/8	24
24"	915.00	36.02	812.80	32.00	76.20	3.00	47.63	1 7/8	24

ANSI B16.5 | Class 600



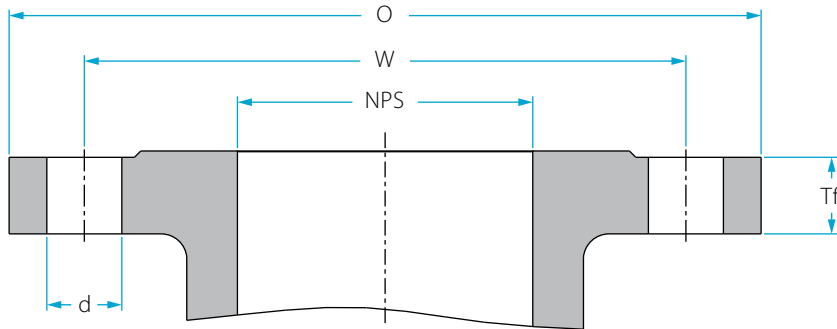
NPS Nominal Pipe Size	O		W		Tf		d		Number holes
	mm	inch	mm	inch	mm	inch	mm	inch	
1/2"	95.00	3.74	66.70	2.63	14.30	0.56	15.88	5/8	4
3/4"	115.00	4.53	82.60	3.25	15.90	0.63	19.05	3/4	4
1"	125.00	4.92	88.90	3.50	17.50	0.69	19.05	3/4	4
1 1/4"	135.00	5.31	98.40	3.87	20.70	0.81	19.05	3/4	4
1 1/2"	155.00	6.10	114.30	4.50	22.30	0.88	22.23	7/8	4
2"	165.00	6.50	127.00	5.00	25.40	1.00	19.05	3/4	8
2 1/2"	190.00	7.48	149.20	5.87	28.60	1.13	22.23	7/8	8
3"	210.00	8.27	168.30	6.63	31.80	1.25	22.23	7/8	8
3 1/2"	230.00	9.06	184.20	7.25	35.00	1.38	25.40	1	8
4"	275.00	10.83	215.90	8.50	38.10	1.50	25.40	1	8
5"	330.00	12.99	266.70	10.50	44.50	1.75	28.58	1 1/8	8
6"	355.00	13.98	292.10	11.50	47.70	1.88	28.58	1 1/8	12
8"	420.00	16.54	349.20	13.75	55.60	2.19	31.75	1 1/4	12
10"	510.00	20.08	431.80	17.00	63.50	2.50	34.93	1 3/8	16
12"	560.00	22.05	489.00	19.25	66.70	2.63	34.93	1 3/8	20
14"	605.00	23.82	527.00	20.75	69.90	2.75	38.10	1 1/2	20
16"	685.00	26.97	603.20	23.75	76.20	3.00	41.28	1 5/8	20
18"	745.00	29.33	654.00	25.75	82.60	3.25	44.45	1 3/4	20
20"	815.00	32.09	723.90	28.50	88.90	3.50	44.45	1 3/4	24
24"	940.00	37.01	838.20	33.00	101.60	4.00	50.80	2	24

## Flange dimensions

ANSI B16.5

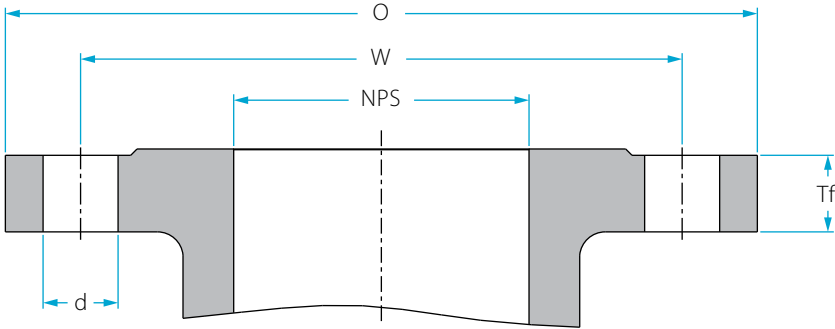
DIN EN1092

### ANSI B16.5 | Class 900



NPS Nominal Pipe Size	O		W		Tf		d		Number holes
	mm	inch	mm	inch	mm	inch	mm	inch	
1/2"	120.00	4.72	82.60	3.25	22.30	0.88	22.23	7/8	4
3/4"	130.00	5.12	88.90	3.50	25.40	1.00	22.23	7/8	4
1"	150.00	5.91	101.60	4.00	28.60	1.13	25.40	1	4
1 1/4"	160.00	6.30	111.10	4.37	28.60	1.13	25.40	1	4
1 1/2"	180.00	7.09	123.80	4.87	31.80	1.25	28.58	1 1/8	4
2"	215.00	8.46	165.10	6.50	38.10	1.50	25.40	1	8
2 1/2"	245.00	9.65	190.50	7.50	41.30	1.63	28.58	1 1/8	8
3"	240.00	9.45	190.50	7.50	38.10	1.50	25.40	1	8
4"	290.00	11.42	235.00	9.25	44.50	1.75	31.75	1 1/4	8
5"	350.00	13.78	279.40	11.00	50.80	2.00	34.93	1 3/8	8
6"	380.00	14.96	317.50	12.50	55.60	2.19	31.75	1 1/4	12
8"	470.00	18.50	393.70	15.50	63.50	2.50	38.10	1 1/2	12
10"	545.00	21.46	469.90	18.50	69.90	2.75	38.10	1 1/2	16
12"	610.00	24.02	533.40	21.00	79.40	3.13	38.10	1 1/2	20
14"	640.00	25.20	558.80	22.00	85.80	3.38	41.28	1 5/8	20
16"	705.00	27.76	616.00	24.25	88.90	3.50	44.45	1 3/4	20
18"	785.00	30.91	685.80	27.00	101.60	4.00	50.80	2	20
20"	855.00	33.66	749.30	29.50	108.00	4.25	53.98	2 1/8	20
24"	1,040.00	40.94	901.70	35.50	139.70	5.50	66.68	2 5/8	20

ANSI B16.5 | Class 1500



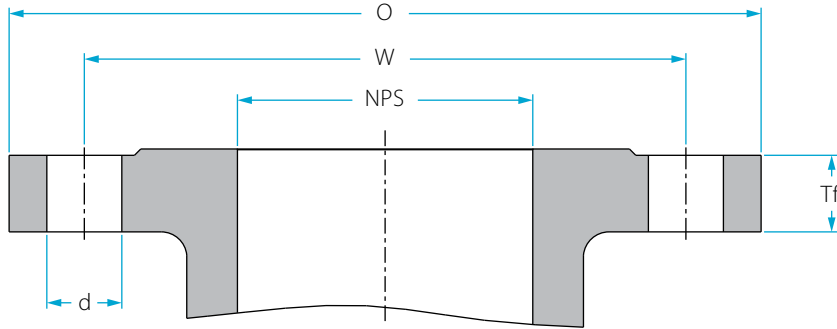
NPS Nominal Pipe Size	O		W		Tf		d		Number holes
	mm	inch	mm	inch	mm	inch	mm	inch	
1/2"	120.00	4.72	82.60	3.25	22.30	0.88	22.23	7/8	4
3/4"	130.00	5.12	88.90	3.50	25.40	1.00	22.23	7/8	4
1"	150.00	5.91	101.60	4.00	28.60	1.13	25.40	1	4
1 1/4"	160.00	6.30	111.10	4.37	28.60	1.13	25.40	1	4
1 1/2"	180.00	7.09	123.80	4.87	31.80	1.25	28.58	1 1/8	4
2"	215.00	8.46	165.10	6.50	38.10	1.50	25.40	1	8
2 1/2"	245.00	9.65	190.50	7.50	41.30	1.63	28.58	1 1/8	8
3"	265.00	10.43	203.20	8.00	47.70	1.88	31.75	1 1/4	8
4"	310.00	12.20	241.30	9.50	54.00	2.13	34.93	1 3/8	8
5"	375.00	14.76	292.10	11.50	73.10	2.88	41.28	1 5/8	8
6"	395.00	15.55	317.50	12.50	82.60	3.25	38.10	1 1/2	12
8"	485.00	19.09	393.70	15.50	92.10	3.63	44.45	1 3/4	12
10"	585.00	23.03	482.60	19.00	108.00	4.25	50.80	2	12
12"	675.00	26.57	571.50	22.50	123.90	4.88	53.98	2 1/8	16
14"	750.00	29.53	635.00	25.00	133.40	5.25	60.33	2 3/8	16
16"	825.00	32.48	704.80	27.75	146.10	5.75	66.68	2 5/8	16
18"	915.00	36.02	774.70	30.50	162.00	6.38	73.03	2 7/8	16
20"	985.00	38.78	831.80	32.75	177.80	7.00	79.38	3 1/8	16
24"	1170.00	46.06	990.60	39.00	203.20	8.00	92.08	3 5/8	16

## Flange dimensions

ANSI B16.5

DIN EN1092

### ANSI B16.5 | Class 2500



NPS Nominal Pipe Size	O		W		Tf		d		Number holes
	mm	inch	mm	inch	mm	inch	mm	inch	
1/2"	135.00	5.31	88.90	3.50	30.20	1.19	22.23	7/8	4
3/4"	140.00	5.51	95.20	3.75	31.80	1.25	22.23	7/8	4
1"	160.00	6.30	108.00	4.25	35.00	1.38	25.40	1	4
1 1/4"	185.00	7.28	130.20	5.13	38.10	1.50	28.58	1 1/8	4
1 1/2"	205.00	8.07	146.00	5.75	44.50	1.75	31.75	1 1/4	4
2"	235.00	9.25	171.40	6.75	50.90	2.00	28.58	1 1/8	8
2 1/2"	265.00	10.43	196.80	7.75	57.20	2.25	31.75	1 1/4	8
3"	305.00	12.01	228.60	9.00	66.70	2.63	34.93	1 3/8	8
4"	355.00	13.98	273.00	10.75	76.20	3.00	41.28	1 5/8	8
5"	420.00	16.54	323.80	12.75	92.10	3.63	47.63	1 7/8	8
6"	485.00	19.09	368.30	14.50	108.00	4.25	53.98	2 1/8	8
8"	550.00	21.65	438.20	17.25	127.00	5.00	53.98	2 1/8	12
10"	675.00	26.57	539.80	21.25	165.10	6.50	66.68	2 5/8	12
12"	760.00	29.92	619.10	24.37	184.20	7.25	73.03	2 7/8	12

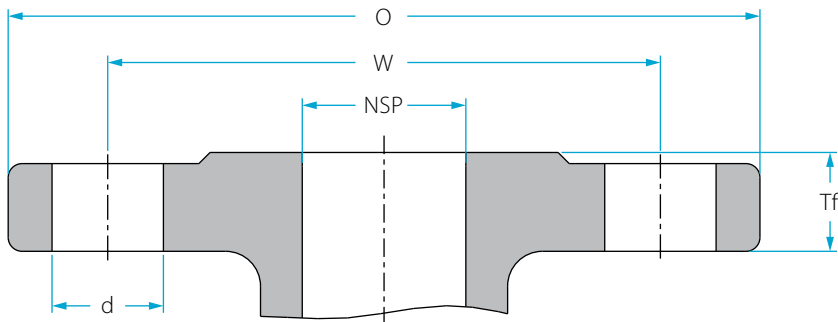


Flange dimensions

ANSI B16.5

DIN EN1092

DIN EN1092 | DIN PN10



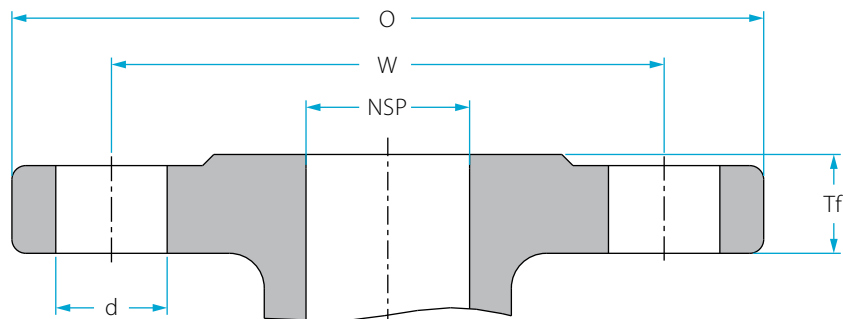
NPS Nominal Pipe Size	O		W		Tf		d		Number holes
	mm	inch	mm	inch	mm	inch	mm	inch	
10	90.00	3.54	60.00	2.36	16.00	0.63	14.00	5/8	4
15	95.00	3.74	65.00	2.56	16.00	0.63	14.00	5/8	4
20	105.00	4.13	75.00	2.95	18.00	0.71	14.00	5/8	4
25	115.00	4.53	85.00	3.35	18.00	0.71	14.00	5/8	4
32	140.00	5.51	100.00	3.94	18.00	0.71	18.00	5/7	4
40	150.00	5.91	110.00	4.33	18.00	0.71	18.00	5/7	4
50	165.00	6.50	125.00	4.92	18.00	0.71	18.00	5/7	4
65	185.00	7.28	145.00	5.71	18.00	0.71	18.00	5/7	8
80	200.00	7.87	160.00	6.30	20.00	0.79	18.00	5/7	8
100	220.00	8.66	180.00	7.09	20.00	0.79	18.00	5/7	8
125	250.00	9.84	210.00	8.27	22.00	0.87	18.00	5/7	8
150	285.00	11.22	240.00	9.45	22.00	0.87	22.00	7/8	8
200	340.00	13.39	295.00	11.61	24.00	0.94	22.00	7/8	8
250	395.00	15.55	350.00	13.78	26.00	1.02	22.00	7/8	12
300	445.00	17.52	400.00	15.75	26.00	1.02	22.00	7/8	12
350	505.00	19.88	460.00	18.11	26.00	1.02	22.00	7/8	16
400	565.00	22.24	515.00	20.28	26.00	1.02	26.00	1 1/10	16
450	615.00	24.21	565.00	22.24	28.00	1.10	26.00	1 1/10	20
500	670.00	26.38	620.00	24.41	28.00	1.10	26.00	1 1/10	20
600	780.00	30.71	725.00	28.54	30.00	1.18	30.00	1 1/8	20

## Flange dimensions

ANSI B16.5

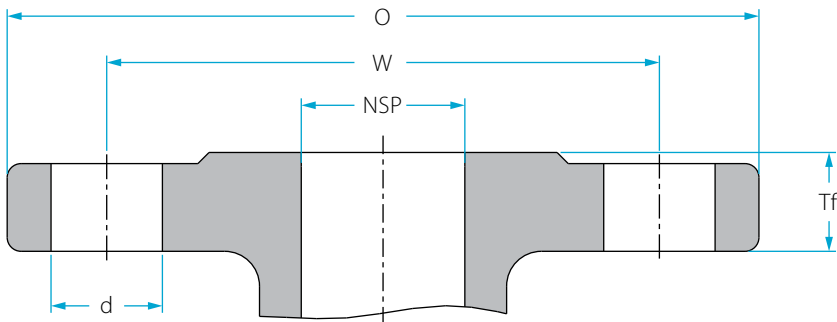
DIN EN1092

### DIN EN1092 | DIN PN16



NPS Nominal Pipe Size	O		W		Tf		d		Number holes
	mm	inch	mm	inch	mm	inch	mm	inch	
10	90.00	3.54	60.00	2.36	16.00	0.63	14.00	0.55	4
15	95.00	3.74	65.00	2.56	16.00	0.63	14.00	0.55	4
20	105.00	4.13	75.00	2.95	18.00	0.71	14.00	0.55	4
25	115.00	4.53	85.00	3.35	18.00	0.71	14.00	0.55	4
32	140.00	5.51	100.00	3.94	18.00	0.71	18.00	0.71	4
40	150.00	5.91	110.00	4.33	18.00	0.71	18.00	0.71	4
50	165.00	6.50	125.00	4.92	18.00	0.71	18.00	0.71	4
65	185.00	7.28	145.00	5.71	18.00	0.71	18.00	0.71	8
80	200.00	7.87	160.00	6.30	20.00	0.79	18.00	0.71	8
100	220.00	8.66	180.00	7.09	20.00	0.79	18.00	0.71	8
125	250.00	9.84	210.00	8.27	22.00	0.87	18.00	0.87	8
150	285.00	11.22	240.00	9.45	22.00	0.87	22.00	0.87	8
200	340.00	13.39	295.00	11.61	24.00	0.94	26.00	1.02	12
250	405.00	15.94	350.00	13.78	26.00	1.02	26.00	1.02	12
300	460.00	18.11	400.00	15.75	28.00	1.10	26.00	1.02	12
350	520.00	20.47	460.00	18.11	30.00	1.18	26.00	1.02	16
400	580.00	22.83	515.00	20.28	32.00	1.26	30.00	1.3	16
450	640.00	25.20	565.00	22.24	34.00	1.34	30.00	1.3	20
500	715.00	28.15	620.00	24.41	36.00	1.42	33.00	1.3	20
600	840.00	33.07	725.00	28.54	40.00	1.57	36.00	1.42	20

DIN EN1092 | DIN PN25



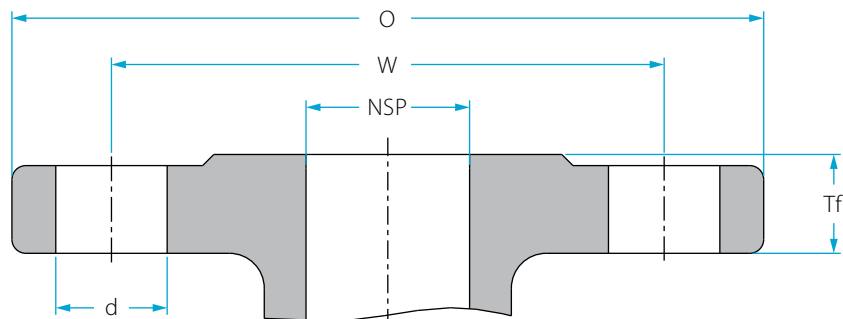
NPS Nominal Pipe Size	O		W		Tf		d		Number holes
	mm	inch	mm	inch	mm	inch	mm	inch	
10	90.00	3.54	60.00	2.36	16.00	0.63	14.00	0.55	4
15	95.00	3.74	65.00	2.56	16.00	0.63	14.00	0.55	4
20	105.00	4.13	75.00	2.95	18.00	0.71	14.00	0.55	4
25	115.00	4.53	85.00	3.35	18.00	0.71	14.00	0.55	4
32	140.00	5.51	100.00	3.94	18.00	0.71	18.00	0.71	4
40	150.00	5.91	110.00	4.33	18.00	0.71	18.00	0.71	4
50	165.00	6.50	125.00	4.92	20.00	0.79	18.00	0.71	4
65	185.00	7.28	145.00	5.71	22.00	0.87	18.00	0.71	8
80	200.00	7.87	160.00	6.30	24.00	0.94	18.00	0.71	8
100	235.00	9.25	190.00	7.48	24.00	0.94	22.00	0.86	8
125	270.00	10.63	220.00	8.66	26.00	1.02	26.00	1.02	8
150	300.00	11.81	250.00	9.84	28.00	1.10	26.00	1.02	8
200	360.00	14.17	310.00	12.20	30.00	1.18	26.00	1.02	12
250	425.00	16.73	370.00	14.57	32.00	1.26	30.00	1.18	12
300	485.00	19.09	430.00	16.93	34.00	1.34	30.00	1.18	16
350	555.00	21.85	490.00	19.29	38.00	1.50	33.00	1.70	16
400	620.00	24.41	550.00	21.65	40.00	1.57	36.00	1.42	16
450	670.00	26.38	600.00	23.62	46.00	1.81	36.00	1.42	20
500	730.00	28.74	660.00	25.98	48.00	1.89	36.00	1.42	20
600	845.00	33.27	770.00	30.31	48.00	1.89	39.00	1.53	20

## Flange dimensions

ANSI B16.5

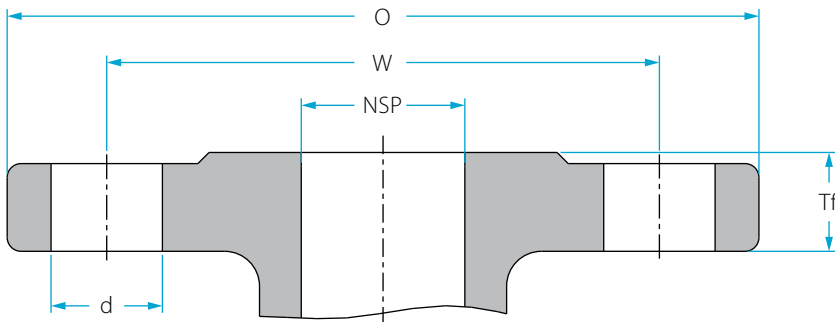
DIN EN1092

### DIN EN1092 | DIN PN40



NPS Nominal Pipe Size	O		W		Tf		d		Number holes
	mm	inch	mm	inch	mm	inch	mm	inch	
10	90.00	3.54	60.00	2.36	16.00	0.63	140.0	0.55	4
15	95.00	3.74	65.00	2.56	16.00	0.63	14.00	0.55	4
20	105.00	4.13	75.00	2.95	18.00	0.71	14.00	0.55	4
25	115.00	4.53	85.00	3.35	18.00	0.71	14.00	0.55	4
32	140.00	5.51	100.00	3.94	18.00	0.71	18.00	0.71	4
40	150.00	5.91	110.00	4.33	18.00	0.71	18.00	0.71	4
50	165.00	6.50	125.00	4.92	20.00	0.79	18.00	0.71	4
65	185.00	7.28	145.00	5.71	22.00	0.87	18.00	0.71	8
80	200.00	7.87	160.00	6.30	24.00	0.94	18.00	0.71	8
100	235.00	9.25	190.00	7.48	24.00	0.94	22.00	0.87	8
125	270.00	10.63	220.00	8.66	26.00	1.02	26.00	1.02	8
150	300.00	11.81	250.00	9.84	28.00	1.10	26.00	1.02	8
200	375.00	14.76	320.00	12.60	34.00	1.34	30.00	1.18	12
250	450.00	17.72	385.00	15.16	38.00	1.50	33.00	1.02	12
300	515.00	20.28	450.00	17.72	42.00	1.65	33.00	1.3	16
350	580.00	22.83	510.00	20.08	46.00	1.81	36.00	1.42	16
400	660.00	25.98	585.00	23.03	50.00	1.97	39.00	1.53	16
450	685.00	26.97	610.00	24.02	57.00	2.24	39.00	1.53	20
500	755.00	29.72	670.00	26.38	57.00	2.24	42.00	1.65	20
600	890.00	35.04	795.00	31.30	72.00	2.83	48.00	1.89	20

DIN EN1092 | DIN PN63



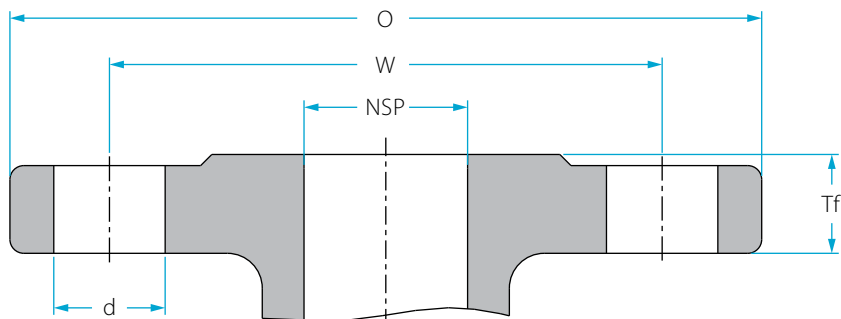
NPS Nominal Pipe Size	O		W		Tf		d		Number holes
	mm	inch	mm	inch	mm	inch	mm	inch	
10	100.00	3.94	70.00	2.76	20.00	0.79	14.00	0.55	4
15	105.00	4.13	75.00	2.95	20.00	0.79	14.00	0.55	4
20	130.00	5.12	90.00	3.54	22.00	0.87	18.00	0.71	4
25	140.00	5.51	100.00	3.94	24.00	0.94	18.00	0.71	4
32	155.00	6.10	110.00	4.33	24.00	0.94	22.00	0.87	4
40	170.00	6.69	125.00	4.92	26.00	1.02	22.00	0.87	4
50	180.00	7.09	135.00	5.31	26.00	1.02	22.00	0.87	4
65	205.00	8.07	160.00	6.30	26.00	1.02	22.00	0.87	8
80	215.00	8.46	170.00	6.69	28.00	1.10	22.00	0.87	8
100	250.00	9.84	200.00	7.87	30.00	1.18	26.00	1.02	8
125	295.00	11.61	240.00	9.45	34.00	1.34	30.00	1.18	8
150	345.00	13.58	280.00	11.02	36.00	1.42	33.00	1.18	8
200	415.00	16.34	345.00	13.58	42.00	1.65	36.00	1.42	12
250	470.00	18.50	400.00	15.75	46.00	1.81	36.00	1.42	12
300	530.00	20.87	460.00	18.11	52.00	2.05	36.00	1.42	16
350	600.00	23.62	525.00	20.67	56.00	2.20	39.00	1.53	16
400	670.00	26.38	585.00	23.03	60.00	2.36	42.00	1.65	16

## Flange dimensions

ANSI B16.5

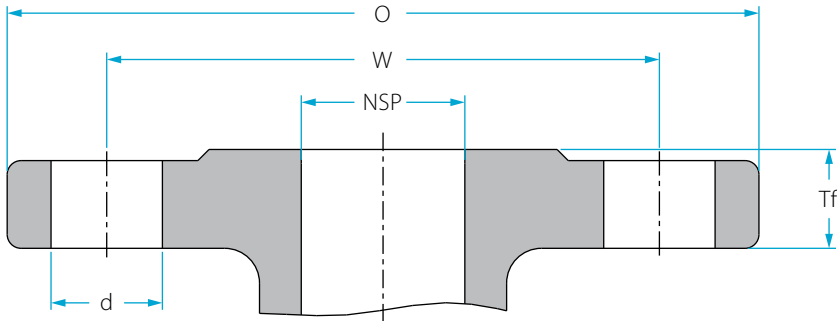
DIN EN1092

### DIN EN1092 | DIN PN100



NPS Nominal Pipe Size	O		W		Tf		d		Number holes
	mm	inch	mm	inch	mm	inch	mm	inch	
10	100.00	3.94	70.00	2.76	20.00	0.79	14.00	0.55	4
15	105.00	4.13	75.00	2.95	20.00	0.79	14.00	0.55	4
20	130.00	5.12	90.00	3.54	22.00	0.87	18.00	0.71	4
25	140.00	5.51	100.00	3.94	24.00	0.94	18.00	0.71	4
32	155.00	6.10	110.00	4.33	24.00	0.94	22.00	0.87	4
40	170.00	6.69	125.00	4.92	26.00	1.02	22.00	0.87	4
50	195.00	7.68	145.00	5.71	28.00	1.10	26.00	1.02	4
65	220.00	8.66	170.00	6.69	30.00	1.18	26.00	1.02	8
80	230.00	9.06	180.00	7.09	32.00	1.26	26.00	1.02	8
100	265.00	10.43	210.00	8.27	36.00	1.42	30.00	1.18	8
125	315.00	12.40	250.00	9.84	40.00	1.57	33.00	1.3	8
150	355.00	13.98	290.00	11.42	44.00	1.73	33.00	1.3	12
200	430.00	16.93	360.00	14.17	52.00	2.05	36.00	1.42	12
250	505.00	19.88	430.00	16.93	60.00	2.36	39.00	1.53	12
300	585.00	23.03	500.00	19.69	68.00	2.68	42.00	1.65	16
350	655.00	25.79	560.00	22.05	74.00	2.91	48.00	1.89	16

DIN EN1092 | DIN PN160



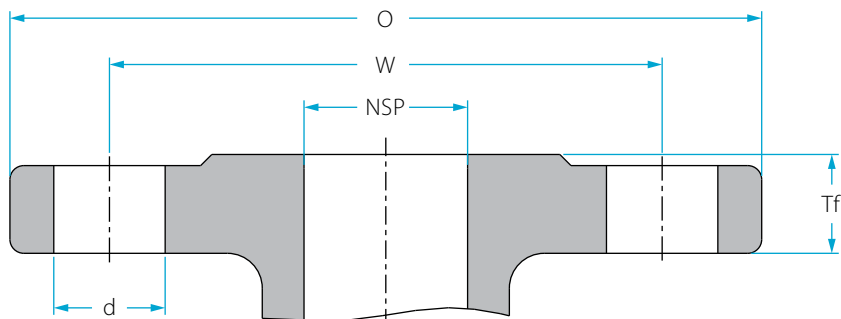
NPS Nominal Pipe Size	O		W		Tf		d		Number holes
	mm	inch	mm	inch	mm	inch	mm	inch	
10	100.00	3.94	70.00	2.76	20.00	0.79	14.00	0.55	4
15	105.00	4.13	75.00	2.95	20.00	0.79	14.00	0.55	4
25	140.00	5.51	100.00	3.94	24.00	0.94	18.00	0.71	4
40	170.00	6.69	125.00	4.92	28.00	1.10	22.00	0.87	4
50	195.00	7.68	145.00	5.71	30.00	1.18	26.00	1.02	4
65	220.00	8.66	170.00	6.69	34.00	1.34	26.00	1.02	8
80	230.00	9.06	180.00	7.09	36.00	1.42	26.00	1.02	8
100	265.00	10.43	210.00	8.27	40.00	1.57	30.00	1.18	8
125	315.00	12.40	250.00	9.84	44.00	1.73	33.00	1.3	8
150	355.00	13.98	290.00	11.42	50.00	1.97	33.00	1.3	12
200	430.00	16.93	360.00	14.17	60.00	2.36	36.00	1.42	12
250	515.00	20.28	430.00	16.93	68.00	2.68	42.00	1.65	12
300	585.00	23.03	500.00	19.69	78.00	3.07	42.00	1.65	16

## Flange dimensions

ANSI B16.5

DIN EN1092

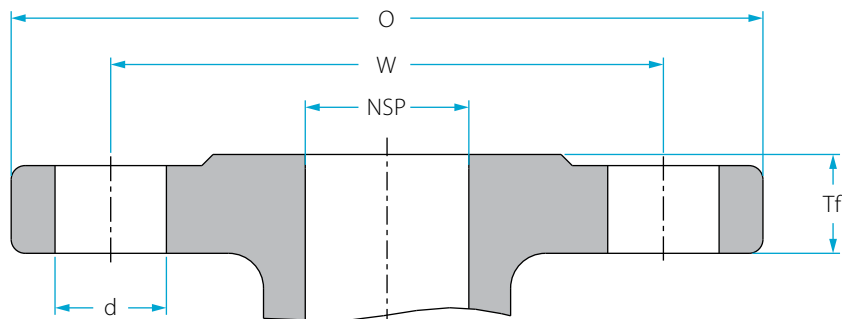
### DIN EN1092 | DIN PN250



NPS Nominal Pipe Size	O		W		Tf		d		Number holes
	mm	inch	mm	inch	mm	inch	mm	inch	
10	125.00	4.92	85.00	3.35	-	-	18.00	0.71	4
15	130.00	5.12	90.00	3.54	26.00	1.02	18.00	0.71	4
25	150.00	5.91	105.00	4.13	28.00	1.10	22.00	0.87	4
40	185.00	7.28	135.00	5.31	34.00	1.34	26.00	1.02	4
50	200.00	7.87	150.00	5.91	38.00	1.50	26.00	1.02	8
65	230.00	9.06	180.00	7.09	42.00	1.65	26.00	1.02	8
80	255.00	10.04	200.00	7.87	46.00	1.81	30.00	1.18	8
100	300.00	11.81	235.00	9.25	54.00	2.13	33.00	1.3	8
125	340.00	13.39	275.00	10.83	60.00	2.36	33.00	1.3	12
150	390.00	15.35	320.00	12.60	68.00	2.68	36.00	1.42	12
200	485.00	19.09	400.00	15.75	82.00	3.23	42.00	1.65	12
250	585.00	23.03	490.00	19.29	100.00	3.94	48.00	1.89	16
300	690.00	27.17	590.00	23.23	-	-	52.00	2.05	16



DIN EN1092 | DIN PN320



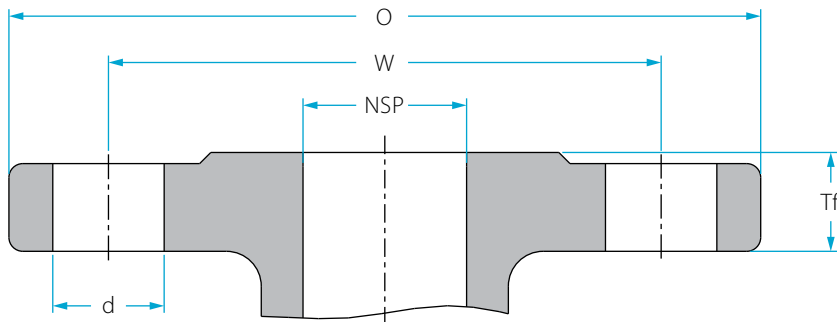
NPS Nominal Pipe Size	O		W		Tf		d		Number holes
	mm	inch	mm	inch	mm	inch	mm	inch	
10	125.00	4.92	85.00	3.35	24.00	0.94	18.00	0.71	4
15	130.00	5.12	90.00	3.54	26.00	1.02	18.00	0.71	4
25	160.00	6.30	115.00	4.53	34.00	1.34	22.00	0.87	4
40	195.00	7.68	145.00	5.71	38.00	1.50	26.00	1.02	4
50	210.00	8.27	160.00	6.30	42.00	1.65	26.00	1.02	8
65	255.00	10.04	200.00	7.87	51.00	2.01	30.00	1.18	8
80	275.00	10.83	220.00	8.66	55.00	2.17	30.00	1.18 <sup>1/2</sup>	8
100	335.00	13.19	265.00	10.43	65.00	2.56	36.00	1.42	8
125	380.00	14.96	310.00	12.20	75.00	2.95	36.00	1.42	12
150	425.00	16.73	350.00	13.78	84.00	3.31	39.00	1.54	12
200	525.00	20.67	440.00	17.32	103.00	4.06	42.00	1.65	16
250	640.00	25.20	540.00	21.26	125.00	4.92	52.00	2.05	16

## Flange dimensions

ANSI B16.5

DIN EN1092

### DIN EN1092 | DIN PN400



NPS Nominal Pipe Size	O		W		Tf		d		Number holes
	mm	inch	mm	inch	mm	inch	mm	inch	
10	125.00	4.92	85.00	3.35	28.00	1.10	18.00	0.71	4
15	145.00	5.71	100.00	3.94	30.00	1.18	22.00	0.87	4
25	180.00	7.09	130.00	5.12	38.00	1.50	26.00	1.02	4
40	220.00	8.66	165.00	6.50	48.00	1.89	30.00	1.18	4
50	235.00	9.25	180.00	7.09	52.00	2.05	30.00	1.18	8
65	290.00	11.42	225.00	8.86	64.00	2.52	33.00	1.3	8
80	305.00	12.01	240.00	9.45	68.00	2.68	33.00	1.3	8
100	370.00	14.57	295.00	11.61	80.00	3.15	39.00	1.54	8
125	415.00	16.34	340.00	13.39	92.00	3.62	39.00	1.54	12
150	475.00	18.70	390.00	15.35	105.00	4.13	42.00	1.65	12
200	585.00	23.03	490.00	19.29	130.00	5.12	48.00	1.89	16



## About Habonim

Ball Valves & Actuators for the most demanding, challenging and hazardous applications are our passion and profession for the last 70 years.

We believe in designing, manufacturing and supplying control and shutoff components and solutions that improves the overall safety, integrity and sustainability of the systems they are installed in.

Designed, manufactured and tested according to the highest standards, our products allow us to partner within systems that flow and control varied gases and liquids in diverse markets especially where extreme temperatures and pressures are involved, hazardous materials are used and system performances are critical.

We are leading in cryogenic ball valve-based control solutions, emergency shutoff and specially designed solutions.

Believing that supplying and developing the most effective, safe and reliable products for the global leaders in the LNG and Gas distribution market continually challenges us to improve our capabilities and products.

Best coping with our prestigious customers' most challenging requirements technically, operationally and commercially is our promise fulfilled for decades.

### Performing in Demanding Applications



[www.habonim.com](http://www.habonim.com)