

# SPECIAL USE VALVES

PRODUCT CATALOG





# PERFORMING IN DEMANDING APPLICATIONS

Ball Valves & Actuators for the most demanding, challenging and hazardous applications is our passion and profession for the last 70 years. We believe in designing, manufacturing and supplying control and shutoff components and solutions that improves the overall safety, integrity and sustainability of the systems they are installed in.

Designed, manufactured and tested according to the highest standards, our products allow us to partner within systems that flows and control varied gases and liquids in divers markets especially where extreme temperatures and pressures are involved, hazardous materials are used and system performances are critical.

We are leading in cryogenic ball valve-based control solutions, emergency shutoff ,High Pressure and Severe Service and specially designed solutions. Believing that supplying and developing the most effective, safe and reliable products for the global leaders in the Gas distribution Severe Service and BioTech markets continually challenges us to improve our capabilities and products. Best coping with our prestigious customers' most challenging requirements technically, operationally and commercially is the outcome and our contribution to the development of these high end markets.

## Table of contents

About Habonim .....	6
Habonim Valves .....	11
Special Use Valves .....	37



# HOW TO USE THIS CATALOGUE

This catalogue provides information in a hierarchical structure starting from Habonim company general information, product families, product lines, product series and to a single product data.

When using information of any level, the aggregate information of the levels above would apply and should be taken into consideration where applicable.

## Online Version

A live and up-to-date electronic version of this catalog is available for online use and download on Habonim: [www.habonim.com](http://www.habonim.com)



In the case of discrepancies between the print and electronic versions, we recommend to use the latest version (the version date is printed on the back cover).

## Proprietary Note

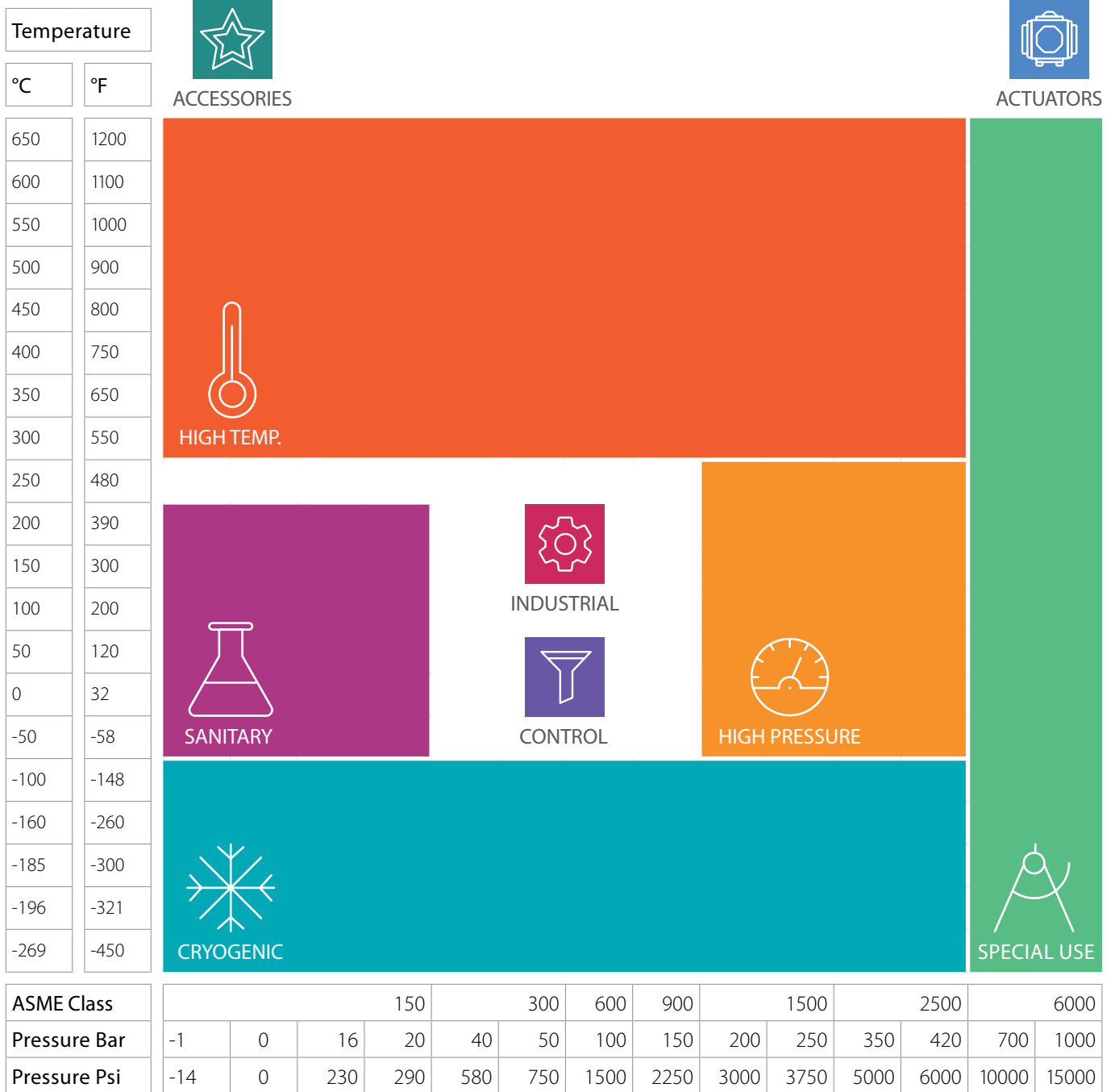
This catalog is the exclusive property of Habonim Industrial Valves and Actuators Ltd. Any unauthorized reproduction of this catalog, in whole or in part, shall be prosecuted.

## Disclaimer

The products and datasheets in this catalog reflect current Habonim standard production specifications. Habonim Industrial Valves and Actuators Ltd. Reserves the right to modify products and materials, including modifications undertaken to comply with specific customer requests and technical specifications without further notice.

It is always the system designer and the end-user responsibility to verify all equipment use in their system is properly selected to ensure safety and integrity of their systems. Habonim offers only general information based on common market knowledge and standard market adaptations for its valves. For each system and use, the system designer and end-user must consider the particular operations conditions, media parameters and any other implication of their system for the proper selection of valves to be used on their solely responsibility.

# PRODUCT FAMILIES



# ABOUT HABONIM

## Sustainability, Safety and Health

Habonim management and employees around the world are dedicated to promoting, in every aspect of their work, the following principles and guidelines:

### Sustainability

Habonim management pledges to comply with the relevant laws, standards, and regulations to preserve the environment and promote sustainability at company premises and in our products.

### Safety & Health

Habonim aspires to a safe and healthy work environment, aiming for zero work accidents and promoting our employee's wellbeing. Management and the entire workforce comply with the relevant laws and regulations necessary to achieve this goal.

## Operations

Habonim operates a global infrastructure to best support customers and projects by supplying our catalog standard products, specially adjusted catalog products and custom-made products and sub-systems. Ball valves, actuators and control packages are our core deliveries.

### Standard Delivery

With the goal of offering our high-end products as well as our general-use products with best availability, best quality, cost-effectiveness and with simple communication, handling and operation, we mark selected items designated as **Standard Offer** in most of our product lines with the Green "Standard Delivery" mark in order to provide best availability and supply readiness.





## Materials

Habonim uses and stocks metallic, polymeric and other materials used in our products, all sourced from well-recognized manufacturers with the required testing, certifications and documentation.

Heat numbers and materials certificates are managed throughout the manufacturing and assembling process to enable full backtracking for our product components.

**Available Certifications, some supply as standard and some per request:**

- Materials certificates per EN10204 type 2.2/3.1/3.2
- FDA / USP Class VI compliant for polymers, elastomers, and lubricants where applicable
- CE1935:2004 compliant for polymers, elastomers, and lubricants where applicable

## Tagging, Traceability

Each product is tagged for traceability. For product identification, a stainless steel nameplate is placed on the product body.

Traceability of assembly and testing procedures, heat codes, and foundry identification as per B16.34 stipulations where applicable.



# ABOUT HABONIM

## Cleaning, Assembling and Packing

Habonim manages different levels of cleaning, assembling and packing lines to meet different levels of end product and use requirements:

### Commercial Service

Excessive hydrocarbon films, water, rust or mill scale, shop dirt, filings, chips or loose weld spatter is removed from the valve parts.

- Accessible surfaces are inspected for cleanliness by the naked eye under bright white light.
- Inaccessible surfaces are inspected and cleaned indirectly by wiping.
- A sticker on the package indicates the cleaning grade of the product.

### Oxygen

A meticulous cleaning and assembly procedure eliminate the ignition hazards that can be caused by the presence of hydrocarbon oil, grease, and metal chips.

**Our process of cleaning, assembling and packing refers to international standards in partial or in full:**

- ASTM A380 • CGA G 4.1 • EN 12300

Habonim uses an environment friendly, alkaline-based degreasing process with controlled parameters. Valves are assembled in an oil-free restricted area by personnel who are specially equipped and trained to perform this task. The assembling area, work surfaces, equipment and tools are specially maintained to ensure cleanliness requirements are met.

- Valves are capped ends and plastic bagged
- A sticker on the plastic bag indicating "oxygen use"

### High Purity Service

**Habonim offers as an option high purity ball valves for gas and water distribution, as well as chemical handling processes. Such valves are cleaned in accordance with CGA G4.1:**

- Cleaning, drying and packaging under Class 100,000 conditions
- Assembly under Class 10,000 conditions
- No lubricants used
- 100% helium leak tested
- Capped ends and plastic bagged







## Quality

Habonim strives to deliver quality products that meet and exceed customer expectations, providing complete and total satisfaction and to operate, instruct and train employees globally in light of standards such as:

- ISO 9001:2015
- CE PED 2014/68/EU (Module H)
- ATEX 2014/34/EU
- API SPEC Q1: 2013
- TPED 2010/35/EU – for specific product lines
- IEC 61508-2:2010 (SIL 2 / 3) – for specific product lines
- SIL IEC 61508-1,2, 2010/35/ EU – for specific product lines

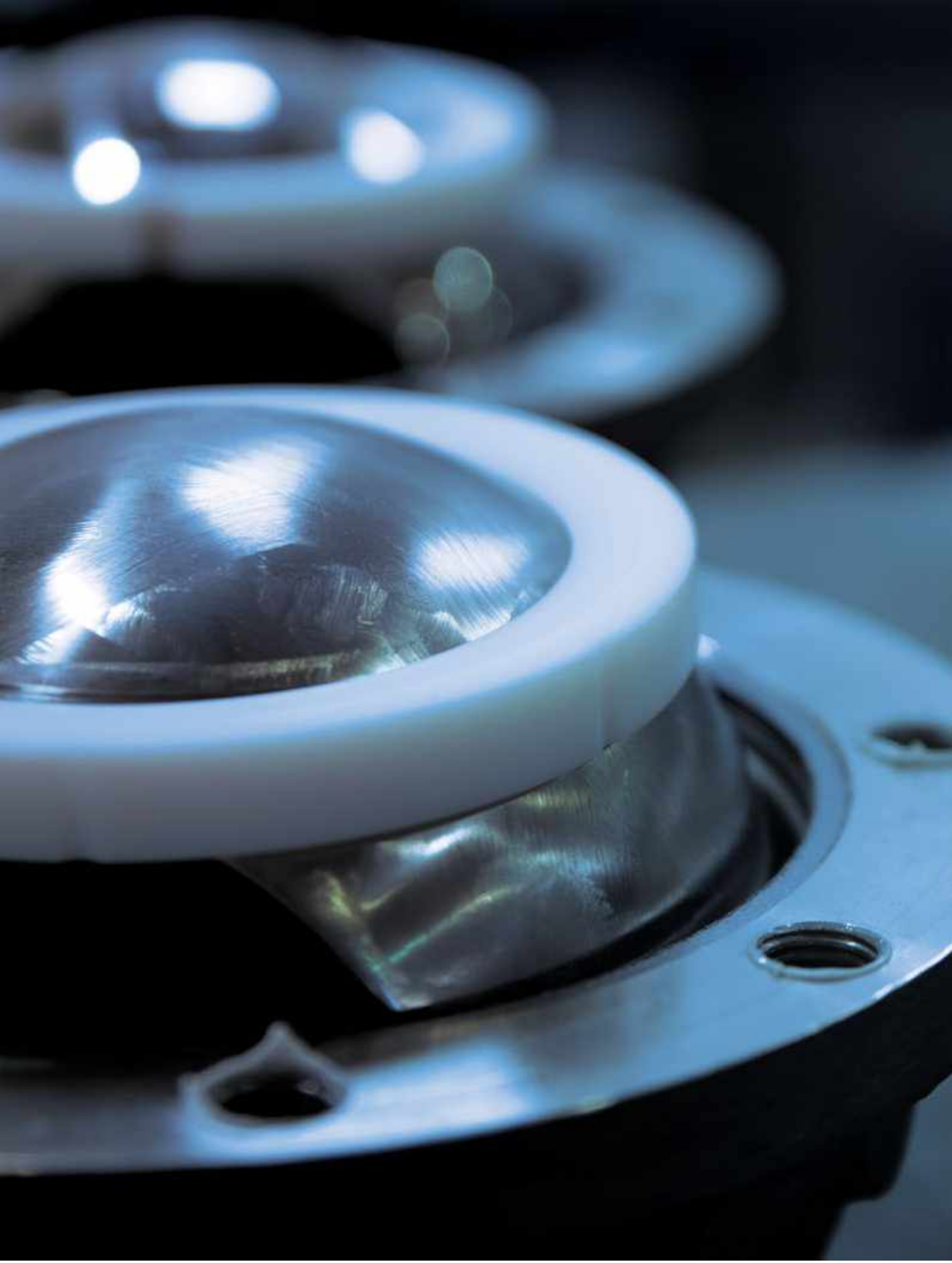
Habonim's management diligently monitors goals and objectives and continually enhances processes and products as well as the safety and environmental practices in light of the above.

### Testing and Laboratories

Habonim operates a wide range of testing laboratories and equipment for ongoing and R&D needs and certifies products for cryogenic, high pressure, aggressive or clean, industrial use and more.

Habonim carries out external and internal testing and certification of products per customers' requests and market trends on a regular basis and offer a wide range of certified products for diverse certification bodies as but not limited to:







# VALVES

Habonim Ball Valves .....	12
Valve Features .....	22
Special Use Valves .....	37

# HABONIM BALL VALVES

## General

Habonim develops, designs, manufactures, tests, supplies and service ball valves for the global market and is globally leading in some segments of ball valve usage. With high-end products, uncompromised quality, serviceability and innovation to create solutions for the most demanding applications Habonim has gained a long track record of proven success. Habonim's ball valve product line supports extreme cold to extreme heat systems, industrial use up to very high pressures, and meets the specific needs and regulations of a wide range of industries.



Habonim ball valve product lines are subject to the company's regulation, methodologies and certification – for more information, see Habonim Introduction chapter.

## Design and Engineering

**Habonim designs its valves with accordance to international standards and guidelines in full, partial or with reference to. For some an external certification is available:**

- API 6D (number 6D-1278)
- ASME VIII Div I
- API608
- ASME B16.34
- ISO 14313
- ISO 17292
- ASME BPE (48SER)
- ISO 15848-1, API641
- Fire safe design per API 607, ISO 10497, API6FA
- Antistatic design per ISO 17292

**For relevant valves, Habonim complies or use as guidelines market leading standards such as, but not limited to:**

- NACE MR-0175
- NDT/DT (according to ASME B16.34)
- MSS SP-55
- Polymers per TSE/BSE, BAM, FDA, USP, CE1935:2004





## Testing

Habonim refers to the international standards for valve testing:

- API 598
- ISO 15848-2
- API6D
- EN 12266-1/2
- ISO 5208
- BS 6364

**Strength/Valve shell leak test:**

- Tested per quality system procedures
- By usage of compressed air, nitrogen or water

**In-Line Leak Test:**

- 100% of valves are tested
- By compressed air, nitrogen or helium
- At 5-7 bar pressure
- Pass criteria:
  - Rate A result (bubble tight shutoff) for soft seated valves

**Functional Test:**

- 100% of valves are tested
- Torque is tested to design limits

## Packing

Habonim valves are delivered as a standard as:

- Valve in open position
- Actuated valves are delivered in fail-safe position
- Ends are capped
- A firm, clean package packed by soft, clean, shock-absorbing material for transportation protection.



# HABONIM BALL VALVES



As a standard, most of HABONIM valves are equipped with the Total Hermetix integrity package comprised of three main elements and a superior inline sealing mechanisms in some of them:

## Zero fugitive-emission no maintenance stem sealing

- Patented Hermetix™ stem sealing design with zero fugitive emission sealing capability.
- Tested or certified according to ISO 15848-1 and API641 standards.
- Up to 500,000 cycles of operation.
- Field proven for millions of cycles continuous operation.

## Double body sealing

- Body-to-ends & body-to-bonnet double sealing for superior sealing.
- Selection of sealing materials for diverse applications.
- Fugitive emission prevention.

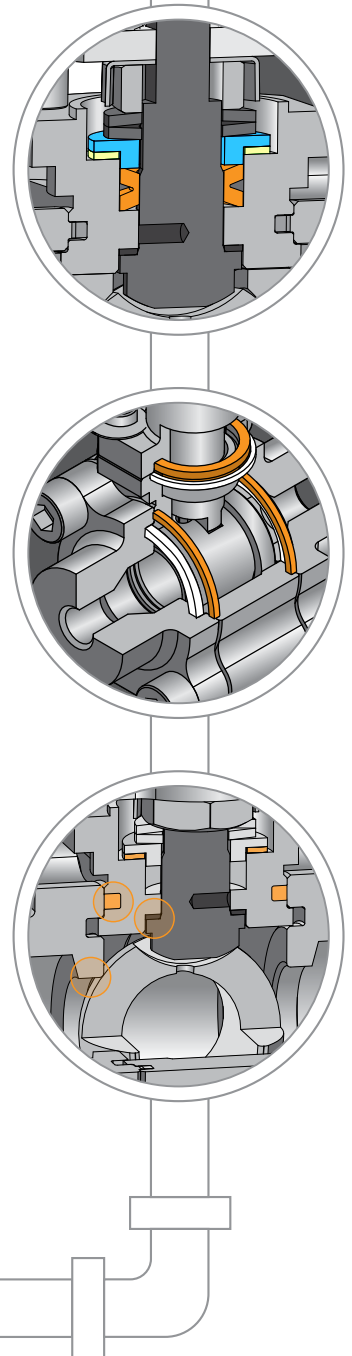
## Fire safe

- According to API 607 & ISO 10497 - where applicable.
- Type-tested and certified by leading certification bodies for marine service – for some valve series.
- Clean fire-safe construction guarantees no graphite contamination of the media flow.

## Superior In-line sealing

A variety of implemented mechanism provides extended in-line sealing capabilities such as:

- Bidirectional sealing
- High pressure full  $\Delta p$  sealing
- High & low pressure sealing
- others





## Quarter Turn Valves - Introduction

### Quarter-Turn Ball Valves design styles

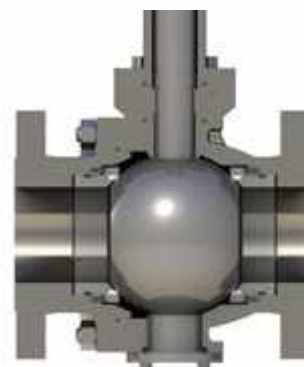
HABONIM offers ball valves in a variety of design styles and technologies that is most effectively supports a wide range of applications and use cases. We offer Floating ball style valves and Trunnion-mounted ball style valves with several construction methods.

### Floating Ball Valves design

The floating ball valve is the legacy style for ball valves, the most used and best fit for many industrial applications. The design places the valve ball between seats that holds it in place but without a firm connection to the valve body, hence, it “floats” inside the valve. Assuring a tight seal between the seats and the ball as well as the between the seats and the valve body guaranties the valve in-line sealing by a simple structure with minimal parts. As a rule of thumb, a floating ball valve should be considered as first choice wherever applicable.

### Trunnion-Mounted Ball Valves

In a trunnion-mounted valve, the ball rotates only around its vertical axis while being mechanically anchored to the top and bottom of the valve body. This construction balances the torques of the rotating ball and keeps it in a lower range than with similar sized floating ball valves by tolerating the heavy loads applied to the valve trim as a result of large sizes, high pressures and dynamic temperature cycles. The seats are compressed against the ball sphere by the force of the springs and by the line pressure, providing “double block” or “double isolation” capability to the valve. Trunnion-mounted ball valves are often used for larger sizes, higher pressure ratings and dynamic temperatures.



# HABONIM BALL VALVES

## Habonim Floating Ball Valve Designs

### One-piece design

The standard-port, one-piece, solid-cast body and flange design ensures minimum leak paths. The valve complies with ASME B16.5 for flange dimension and ASME B16.10 for Face-to-Face dimensions. In the standard design, the valve flange raised face is serrated per ASME B16.11. The body includes an ISO 5211 integral mounting pad for easy automation. To facilitate easy assembly and maintenance, the valve is designed with one flange with a side entry that allows all inner parts to be positioned easily, and with a threaded plug that sets all parts under a precise preload with high repeatability. The result is optimum operating torque and bubble tight shut-off. It is possible to modify the ASME-standard flange connections by drilling the flanges to the EN1092 PN16 and PN40 standard. It is also possible to change one flange to a weld-end connection. A thermal jacket (steam jacket) over a one-piece design is the most efficient solution in applications where heating up the valve's outer surface (and the media inside) is mandatory to maintain media flow.

**31 series** | Vacuum  $10^{-6}$  Tor; ASME B16.34 class 150 | Size ½"-8" (DN15-DN200)

**32 series** | Vacuum  $10^{-6}$  Tor; ASME B16.34 class 300 | Size ½"-8" (DN15-DN200)



### Two-piece design

This unique full-port two-piece solid-cast body and flanged end design supports high flow capacity. The Habonim two-piece design is available in ASME B16.10 for Face-to-Face dimensions and ASME B16.5 class 150 and ASME class 300 flange dimensions and also in EN 1092 PN16 and PN40. In the standard design, the valve flange raised face is serrated per ASME B16.11. The body includes an ISO 5211 integral mounting pad for easy automation. The valve is designed as a split construction which facilitates easy assembly and maintenance with standard tools. Tightening the end connector to the valve body via the body bolts preloads the complete ball-seat set, ensuring low operating valve torque, repeatability, and bubble tight shut off.

**73 series** | Vacuum  $10^{-6}$  Tor; ASME B16.34 class 150 | Size ½"-8" (DN15-DN200)

**74 series** | Vacuum  $10^{-6}$  Tor; ASME B16.34 class 300 | Size ½"-8" (DN15-DN200)

**77 series** | Vacuum  $10^{-6}$  Tor; EN 1092 flanged PN16 | Size 3"-6" (DN80-DN150)

**78 series** | Vacuum  $10^{-6}$  Tor; EN 1092 flanged PN40 | Size ½"-2 ½" (DN15-DN65)







## Three-piece design

The forged, cast, or rolled bar 3-piece design is comprised of a body (center section) and a variety of end connectors (thread, weld, flange) to facilitate a wide range of construction configurations. The swing-out design of the center section allows the end connector to remain a fixed part of the pipe work while the valve itself can be maintained by swinging out the center section only.

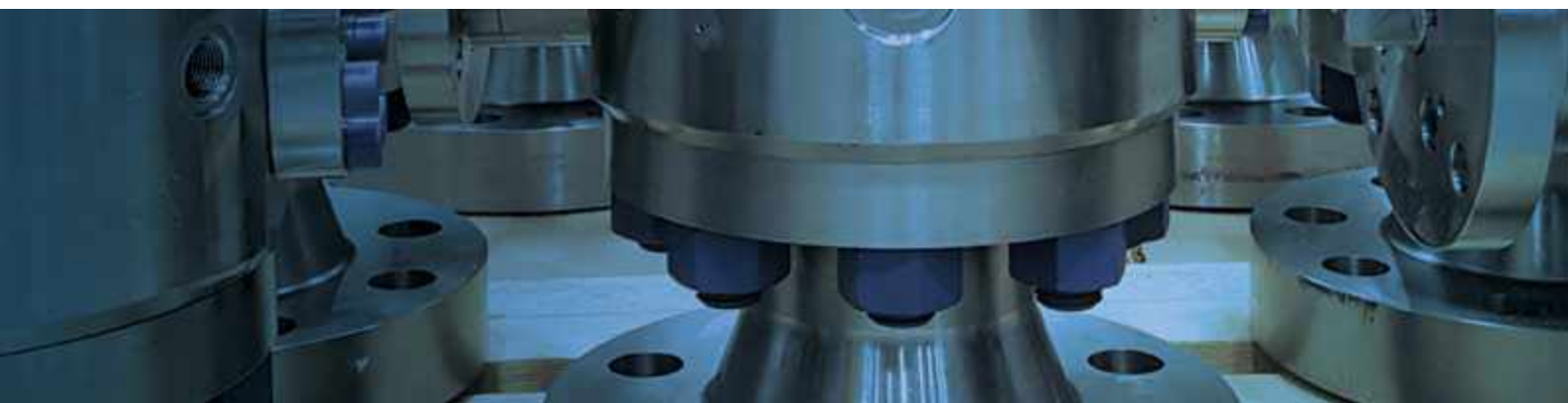
- 26 series** | Full port, solid cast | Vacuum  $10^{-6}$  Tor  
| In full compliance with ASME B16.34 class 600 | Size 2"-8" (DN50-DN200)
- 27 series** | Standard and full port, forged or rolled bar | Vacuum  $10^{-6}$  Tor  
| ASME B16.34 class 2500 (wall thickness) | Size ¼"-2" (DN8-DN50)  
| ASME B16.34 class 1500 (wall thickness) | Size 2½"-8" (DN65-DN200)  
| Hybrid seats technology as an option
- 28 series** | Standard & full port, forged or rolled bar, robust design, with Hybrid seats technology | Vacuum  $10^{-6}$  Tor  
| ASME B16.34 class 2500 (wall thickness) | Size ¼"-8" (DN8-DN200)
- 47 series** | Standard or full port design, forged, cast or rolled bar | Vacuum  $10^{-6}$  Tor  
| ASME B16.34 class 900 (wall thickness) | Size ¼"-2" (DN8-DN50)  
| ASME B16.34 class 400 (wall thickness) | Size 2 ½"-6" (DN65-DN150)
- 48 series** | ASME BPE Floating Ball 3 Piece | Tube Size design, forged, cast or rolled bar  
| Vacuum  $10^{-6}$  Tor  
| ASME B16.34 class 300 | Size ½"- 1½" (DN15- DN40)  
| ASME B16.34 class 300 | Size 2"- 6" (DN50- DN150)



## Three-piece Threaded-Body design

The forged, cast, or rolled bar 3-piece threaded-body design is comprised of a body (center section) and a variety of end connectors (thread, Coned & Threaded) to facilitate a wide range of construction configurations. The no-bolts design of the valve is suitable for high and very-high pressures.

- 24 series** | Standard and full port, Floating ball design, forged or rolled bar  
| Vacuum  $10^{-6}$  Tor | In full compliance with ASME B16.34 class 2,500  
| Size ¼"-1½" (DN8-DN40)
- 29 series** | Forged or rolled bar | Floating ball design | Vacuum  $10^{-6}$  Tor  
| In full compliance with ASME B16.34 for 1,000bar (15,000psi)  
| Size ¼"-1" (DN8-DN25)
- 99 series** | Forged or rolled bar | Trunnion ball design | Vacuum  $10^{-6}$  Tor  
| In full compliance with ASME B16.34 for 1,000bar (15,000psi)  
| Size ¼"-1" (DN8-DN25)



# HABONIM BALL VALVES

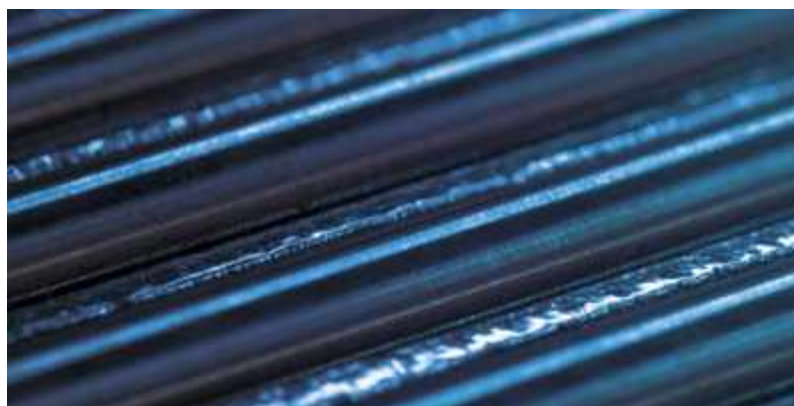
## Habonim Floating Ball Valve Designs

### Multiport valves

Multiport valves are primarily used to simplify pipe and valve systems by replacing multiple two-way valves with a single multiport valve. They minimize dead legs, optimize drainability, simplify system validation and have a reduced envelope profile for easier installation. Multiport valves allow piping and machine engineers to design a simpler system that saves space and has fewer flow elements and leak paths. One multiport valve can replace multiple two-way valves and automation devices, and provides safe and easy changeover and flow shutoff, all within a confined space. Reducing the quantity of piping and fittings also means faster and more cost-effective construction. Available in a variety of flow patterns and directions and in both automatic and manual configurations, the design possibilities offered by the multiport valve are virtually unlimited.

- 61 series**
  - | Multiport with three horizontal ports
  - | Additional bottom port available
  - | Standard or full port design, forged or cast
  - | Vacuum  $10^{-6}$  Tor
  - | ASME B16.34 class 600 (wall thickness) | Size ¼"-1½" (DN8-DN40)
  - | ASME B16.34 class 300 | Size 2"-4" (DN50-DN100)

- 62 series**
  - | Multiport with four horizontal ports
  - | Additional bottom port available
  - | Standard or full port design, forged or cast
  - | Vacuum  $10^{-6}$  Tor
  - | ASME B16.34 class 600 (wall thickness) | Size ¼"-1½" (DN8-DN40)
  - | ASME B16.34 class 300 | Size 2"-4" (DN50-DN100)





## Diverter valves

Diverter valves are primarily used to split or combine process flows, or to switch medium among different pieces of process equipment such as pumps, filters, or whole pipelines. Diverter valves provide reliable high flow rates in the most severe operating conditions, including vacuum conditions. They can also handle highly viscous media without the need for constant back-flushing. The diverter valves are available with different ball designs to accommodate a wide range of flow patterns. These flexible flow combinations reduce the number of valves in a system, thereby saving costs and facilitating easier control. Because all of the diverter valves have the same body Face-to-Face dimensions, they can be used with all standard end connections.

**D31 series** | Bottom entry diverter  
| Standard port design, cast | Vacuum  $10^{-6}$  Tor  
| ASME B16.34 class 150 (wall thickness) | Size ½"-8" (DN15-DN200)

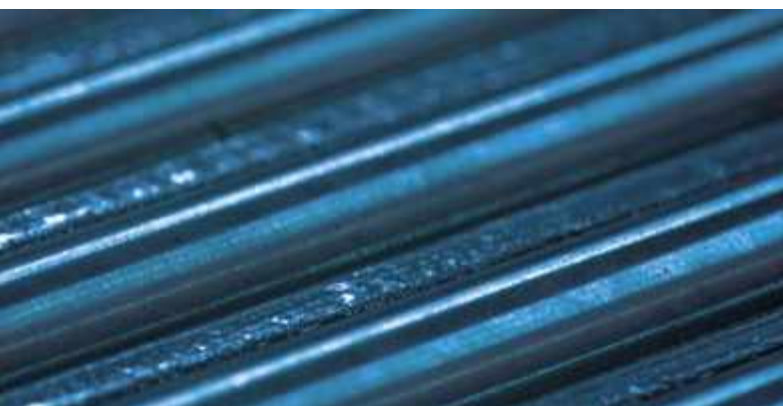
**S31 series** | Side entry diverter  
| Standard port design, cast | Vacuum  $10^{-6}$  Tor  
| ASME B16.34 class 150 (wall thickness) | Size ½"-8" (DN15-DN200)

**D32 series** | Bottom entry diverter  
| Standard port design, cast | Vacuum  $10^{-6}$  Tor  
| ASME B16.34 class 300 (wall thickness) | Size ½"-8" (DN15-DN200)

**S32 series** | Side entry diverter  
| Standard port design, cast | Vacuum  $10^{-6}$  Tor  
| ASME B16.34 class 300 (wall thickness) | Size ½"-8" (DN15-DN200)

**D47 series** | Bottom entry diverter  
| Standard or full port design, forged or cast | Vacuum  $10^{-6}$  Tor  
| ASME B16.34 class 600 (wall thickness) | Size ½"-2" (DN15-DN50)  
| ASME B16.34 class 300 (wall thickness) | Size 2½"-6" (DN65-DN150)

**S47 series** | Side entry diverter  
| Standard or full port design, forged or cast | Vacuum  $10^{-6}$  Tor  
| ASME B16.34 class 600 (wall thickness) | Size ½"-2" (DN15-DN50)  
| ASME B16.34 class 300 (wall thickness) | Size 2½"-6" (DN65-DN150)



# HABONIM BALL VALVES

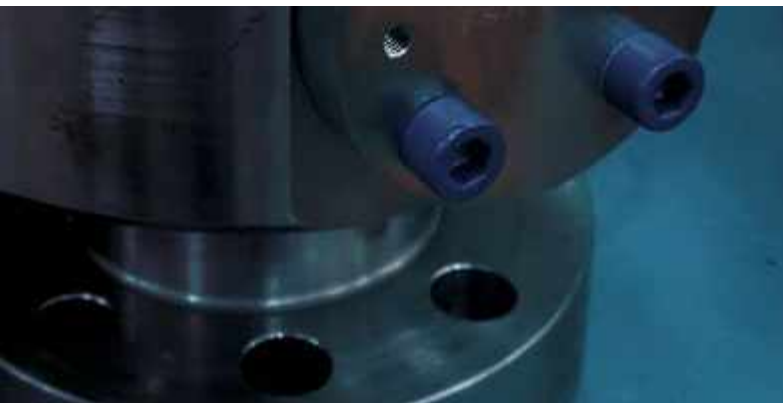
## Habonim Trunnion-Mounted Ball Valve Designs

### Features:

- Specially designed to endure the harsh conditions of the oil & gas, petrochemical and other demanding applications
- Underground, Above ground, Offshore and Onshore installation
- Full differential pressure ( $\Delta p$ ) per the valve pressure rating
- Manually applies a maximum operating force of 360N (80 lbf)
- Double block & bleed single valve capability
- Seats preloaded by helical springs
- Antistatic grounding between ball, stem & body as standard
- Bi-directional flow
- Double Piston Effect (DPE) and Single Piston Effect (SPE) designs are both available
- Optional additions for 8" valve size and above:
  - Injection fittings for emergency stem or seat sealant & lubrication maintenance
  - Equipped with lifting lugs
  - Manually operated via gearbox
- Buttweld end valves may be supplied with extended spool pieces (PUPS) to avoid any risk of seat and seal damage during welding and post weld heat treatment operations

### External finishing:

- Austenitic stainless steel valves are delivered in their natural finish
- Carbon steel valves are sandblasted and externally coated with paint
- Other painting systems are available upon request





## Two-Piece Design

The 2-piece cast trunnion-mounted ball valve designs are cost effectively support pressure ratings up to ASME Class 600, serving as the first choice where applicable with ANSI flange ends.

- 81 series** | Full Port | Vacuum  $10^{-6}$  Tor  
| ASME B16.34 class 150 (wall thickness) | Size 2"-16" (DN50-DN400)
- 82 series** | Full Port | Vacuum  $10^{-6}$  Tor  
| ASME B16.34 class 300 (wall thickness) | Size 2"-16" (DN50-DN400)
- 83 series** | Full Port | Vacuum  $10^{-6}$  Tor  
| ASME B16.34 class 600 (wall thickness) | Size 2"-16" (DN50-DN400)

## Three-Piece Design

The 3-piece forged body and end design is a robust heavy-duty design for pressure ratings up to ASME Class 2500 With ANSI flange, DIN flange or weld ends.

- 91 series** | Full & Standard Port | Vacuum  $10^{-6}$  Tor  
| ASME B16.34 class 150 (wall thickness) | Size 2"-16" (DN50-DN400)
- 92 series** | Full & Standard Port | Vacuum  $10^{-6}$  Tor  
| ASME B16.34 class 300 (wall thickness) | Size 2"-16" (DN50-DN400)
- 93 series** | Full & Standard Port | Vacuum  $10^{-6}$  Tor  
| ASME B16.34 class 600 (wall thickness) | Size 2"-16" (DN50-DN400)
- 94 series** | Full & Standard Port | Vacuum  $10^{-6}$  Tor  
| ASME B16.34 class 900 (wall thickness) | Size 2"-16" (DN50-DN400)
- 95 series** | Full & Standard Port | Vacuum  $10^{-6}$  Tor  
| ASME B16.34 class 1500 (wall thickness) | Size 2"-12" (DN50-DN300)
- 96 series** | Full & Standard Port | Vacuum  $10^{-6}$  Tor0  
| ASME B16.34 class 2500 (wall thickness) | Size 2"-12" (DN50-DN300)



# VALVE FEATURES

## Fire Safe Design

Valves to be used in explosive or fire-hazard areas need to be (according to some standards and regulations) be designed to prevent in-line leaks for at least 30 minutes when exposed to flames and/or temperatures between 900 - 1000°C. In addition, after cooling down, a fire-safe valve has to be able to be cycled once and seal at an acceptable level of in-line leakage

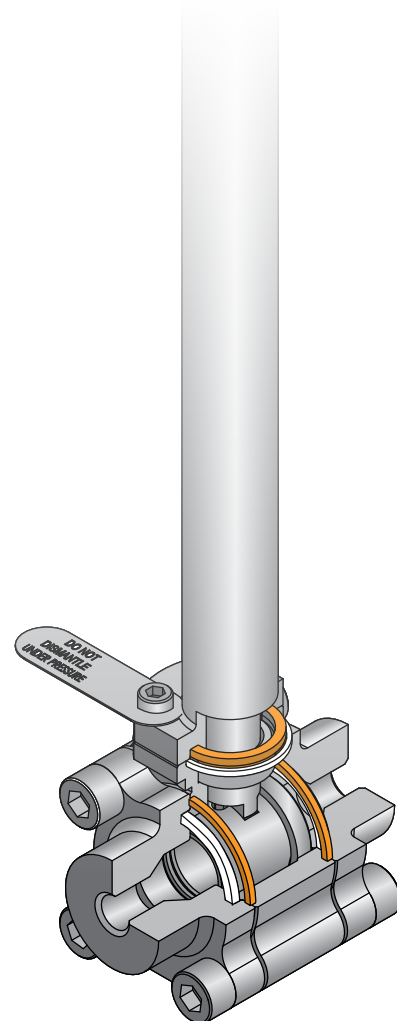
Habonim fire-safe valves include body seals fabricated from graphite, which is well-known as a fire-retardant material. In the event of fire, the valve's soft seats melt and the ball is pressed against a metallic fire lip on the downstream end connector thus preventing in-line leakage. The fire also burns off the stem's thrust seal, causing the stem, which has a machined chamfer at its root, to be pushed up and form a metal-to-metal seal with the valve body and prevent leakage. For stem sealing Habonim is using the patented HermetiX seal, a unique polymer-based graphite-free stem seal that, even after its polymer materials have melted, allows the stem to stay aligned and fully operable after cool-down. During normal operation, our polymer-based stem seal allows 500,000 operation cycles without maintenance, making it remarkably more durable than porous graphite seals, which have to undergo maintenance every 5,000 cycles without refurbishment. This design has been tested and certified to API 607 and ISO 10497 standards.

### Tongue & groove body seal design

A 'tongue' machined on one side of the valve body and a matching 'groove' machined on the opposite side provides a perfect interlock system that precisely aligns the body and ends along the valve's center axis, thus increasing accuracy and repeatability during valve assembly and maintenance. The tongue & groove design is used most of our fire valves so that the expanded body seal is fully encapsulated and compressed in the event of a fire. The tongue & groove design forces fluid emissions to flow in a labyrinth pattern, thus ensuring zero leakage into the atmosphere.

### Body bolts

Instead of long through-way bolts and nuts, all of our 3-piece fire-safe valves use double the number of one-size-up short bolts threaded into the body. In the event of fire these bolts minimize thermal expansion and prevent external leakage.





## Ball Configurations

Our mirror-polished solid balls ensure tight shutoff and long service life. All balls come with specially rounded leading edges to eliminate excessive seat wear during rotation. Our balls technology can supports verity of metals (some are available only upon request) such as Stainless Steel 316 (CF8M), Alloy-C276, Alloy-C22, Monel 400, 254SMO, Duplex, Super Duplex, Inconel 625, Titanium and more. Ball materials other than Stainless Steel 316 (CF8M), are marked for clear identification.

### There are different styles related to the ball port itself:

- Standard port ball (also known as reduced port) - The flow through the ball is one size smaller than the pipe's size resulting in a flow area smaller than the pipe's area. The reduced flow area increases the flow velocity (assuming a constant flow discharge) and the head-loss over the valve.
- Full port ball - Has an over-sized ball so that the ball's port is the same as the pipe's inner diameter, thus reducing friction loss. Flow is unrestricted but the valve is larger so full-port balls are typically used where free flow is particularly important such as in pipelines that require pigging.
- Tube size ball (also known as true port) has a port which is identical to the tube's inside diameter. This configuration is used mainly in the pharmaceutical industry where dead legs and pockets of contamination are unacceptable.

### Pressure equalizing hole

Balls typically have a hole in the stem slot to equalize the pressure over the ball sphere. The pressure inside the ball port and the pressure in the valve cavity are identical and hence no stress is applied to the ball sphere. The pressure equalizing hole is eliminated in the following cases:

- High surface finish requirements, mechanically polished or electro-polished
- Diverter valves
- Valves with cavity filler seats
- Double block and bleed valves
- Pharmaceutical or other applications with very high sanitary requirements



Minimum stress on the ball by adding a pressure equalizing hole



# VALVE FEATURES

## Ball Configurations

### Cavity pressure relief

This safety feature is for valve applications where a trapped cavity must be avoided a 3 mm hole is included in the upstream ball sphere so that any pressure that builds up in the valve cavity will be released into the upstream pipeline. The use of a cavity pressure relief hole feature is mandatory when using ammonia, chlorine or any other liquid media that is at risk of transforming into a gas and thus elevating the pressure within the valve cavity in an uncontrolled manner. A valve which includes the 'P250' code will always be unidirectional, and will include an arrow flow plate attached to the valve body. Improper installation in the opposite direction will cause an in-line leak.



3 mm relief hole  
face the upstream

### 'C' Ball

Habonim offers a two-way ball with its upstream sphere completely machined through the ball port and thus has a C shape. This feature is mainly used where media tends to crystalize on the upstream ball sphere such as, for example, molten sugar or baked ground coffee. When a standard valve is in the closed position and a solid layer has adhered to the ball's upstream sphere, subsequent valve operation will erode the upstream soft seat, loosen the pre-load of the ball seats set, and rapidly degrade the valve's functionality. With a 'C' ball media solidification is impossible as there is no surface area on which the media can accumulate. The upstream seat withstands the media unscratched; the pre-load of the ball seat set as well as the functionality of the valve remain intact for a longer period of time.



Upstream sphere completely  
machined in a 'C' ball

### Multiport and diverter ball

Multiport and diverter ball designs are used primarily to split or combine process flows or to switch medium between alternative pieces of process equipment. The diverter ball configuration can be either bottom entry or side entry. The diverter ball has the same sphere diameter as standard 2-way balls so the same soft parts can be used. Multiport balls have numerous flow configurations, which are described in detail in the Multiport chapter of this catalog. The multiport ball has a larger sphere diameter than a diverter ball, allowing a firm grip of four seats vs. two seats in the diverter configuration.



Diverter ball with isometric  
T port construction

### V-Ball

The V ball is used in control valve solution for less demanding applications, such as clear liquid at a maximum pressure drop of 6 bar (87 psi), or clean gas at a maximum pressure drop of 10 bar (145 psi), and maximum temperatures of 120 °C (248 °F) for both. The V ball design is comprised of a floating characterized ball, mounted between two seats, which maintain a trim preload and bubble-tight shut-off and low torque demand. V-Balls come in a variety of 'V' and 'slot' shapes, and can be custom designed to meet any control requirement. The V-Ball is available in a wide range of high-alloy materials and coatings for highly corrosive applications.



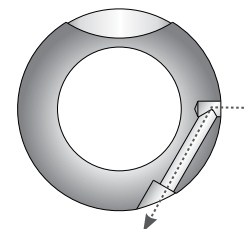
Characterized ball for flow  
control applications





## Downstream pressure relief ball

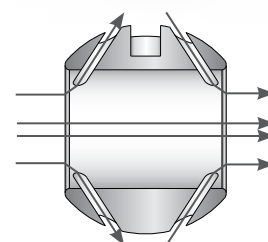
Habonim ball downstream pressure relief is designed with a diagonal hole in the downstream sphere toward the bottom of the ball. In the open position the flow runs smoothly through the valve. When the valve is closed the downstream pressure is vented through the diagonal tunnel and out via a third port incorporated into the valve body so that the relieved pressure can be diverted safely to a secured area. This feature is mainly used for pressure gauges and instrumentation service. This design eliminates the need to install an additional downstream pressure vent valve.



Special diagonal tunnel vents downstream pressure when the valve is closed.

## CIP/SIP

Habonim 'CIP' ball code is mainly used in sanitary and biopharm applications. In clean applications the main ball valve problem is contamination caused by impurities trapped in the cavity between the ball's outer sphere and the valve body's inside diameter. To overcome this problem Habonim has designed a special ball that allows the stream to clean the valve cavity thoroughly during the CIP/SIP process, with the valve in the full open position. The bottom line: Bidirectional and streamlined flow with a high Cv, and self-cleaning of hidden cavities.



With the valve in the open position, special tunnels flush the valve cavity constantly



# VALVE FEATURES

## Seat Configurations

### Standard seat

A flexible, precision-machined seat that provides the highest seal capabilities (EN12567 Rate A) in high pressure and vacuum conditions. Its unique design reduces valve torque, facilitating a more compact, lower-weight automated package. The design also reduces wear, thus extending the life of the seat. The seat perimeter has pressure-equalizing slots to allow pressure to penetrate into the body cavity for better sealing and for avoiding upstream seat collapse into the valve cavity while turning the valve ball from the open to closed position under high differential pressure.



Standard seat

### Self-Relieving-Seat (SRS)

The Self Relieving Seat (SRS) is used mainly in syltherm and dowtherm services in the chemical and biopharm industries. Both syltherm and dowtherm have a high thermal expansion coefficient and in trapped cavities (such as when the valve ball is in its closed position) even a moderate temperature increase will cause dramatic pressure build-up that can cause cessation of valve operation, seat swelling, and even valve shell failure. The SRS is designed to flex and allow the trapped pressure to escape into the pipeline, while shutting off as soon as the peak pressure is relieved. The pressure relief is achieved by a special internal groove that is machined into the seat radii facing the ball. Additional radial grooves enable the pressure to bypass the ball and access the internal groove. The seat sealing surface is in the central internal section and provides tight shutoff. The outer section of the seat above the internal groove gives the support needed to the ball when higher line pressure pushes the ball toward the downstream seat, thus preventing “crushing” of the seat.



Self-Relieving-Seat (SRS)

### Seat-seal

In some use cases valve must seal the pressure at the upstream side, which contradicts the traditional floating ball mode of operation (where sealing is typically done on the downstream seat only). Habonim's solid one-piece seat-seal design blocks the flow through the back of the seat, generating an upstream seal. Seat-seal can be used with differential pressure up to ASME Class300. For higher differential pressures use either a valve with hybrid seats, or a dual floating ball valve integrated into a one block or trunnion mounted valve.



Seat-seal

### Hybrid seat

When a soft seated floating ball valve is held even momentarily at mid position, the upstream seat is only partially supported by the ball and can be pushed towards the valve cavity by the force of the stream. This deformation is amplified with increased media density, high differential pressure and/or high velocity. Under these extreme conditions the deformation can: cause the ball to grip the unsupported area of the soft seat and jam the valve; slice the seat by the port edge of the ball; or trigger stem twisting (caused by excessive torque applied by the operator trying to close the valve). Habonim's line of Hybrid seats were developed especially to overcome the problems posed by high differential pressure applications. The combination of a metallic housing and polymer insert offers the stiffness of a metal seat with the bubble tight shutoff leakage rate and operating torque of a soft seat. Different hybrid seat designs were developed to meet the needs of different applications, and are designated by the metallic housing design.



Hybrid seat



## Seat Configurations

### Cavity filler seat

The cavity filler seat design minimizes crevices and gaps between the ball and the valve body, thus reducing the risk of trapped contaminants. Because the valve body is specially machined with a larger bore diameter to fit the special cavity filler seat dimensions, they cannot be retrofit into a standard valve body. The cavity filler seat is a one piece seat-seal design and is therefore suitable for use with the Habonim 3-piece product line.

Note: A valve with a cavity filler seat cannot be used in fire-safe service.

### Metal seat

Habonim metal seats are used for extreme service applications where high temperature, abrasion and/or corrosion restrict the use of soft seats. The metal seats are mated lapped with the ball for enhanced engagement and sealing. A variety of surface treatments and coatings can be applied to the seat's outer surface to withstand corrosion, galling and other forms of wear.

### V-port seat

Superior control performance and accuracy is designed into the geometry of the downstream V-port. The precision wire cut 'V' shape of a metal seat, enables equal percentage flow characteristics, while S-port design ('Slot') provides linear flow characteristics. V-Port valve assembly, comprised of a ball and wire cut metal seat, lapped together into a single seamless component. V-port design provides the high rangeability and precision throttling required for clean or dirty liquids and gases, as well as fibrous suspension applications. The streamlined flow passage allows for high recovery, maximum efficiency and excellent erosion resistance.



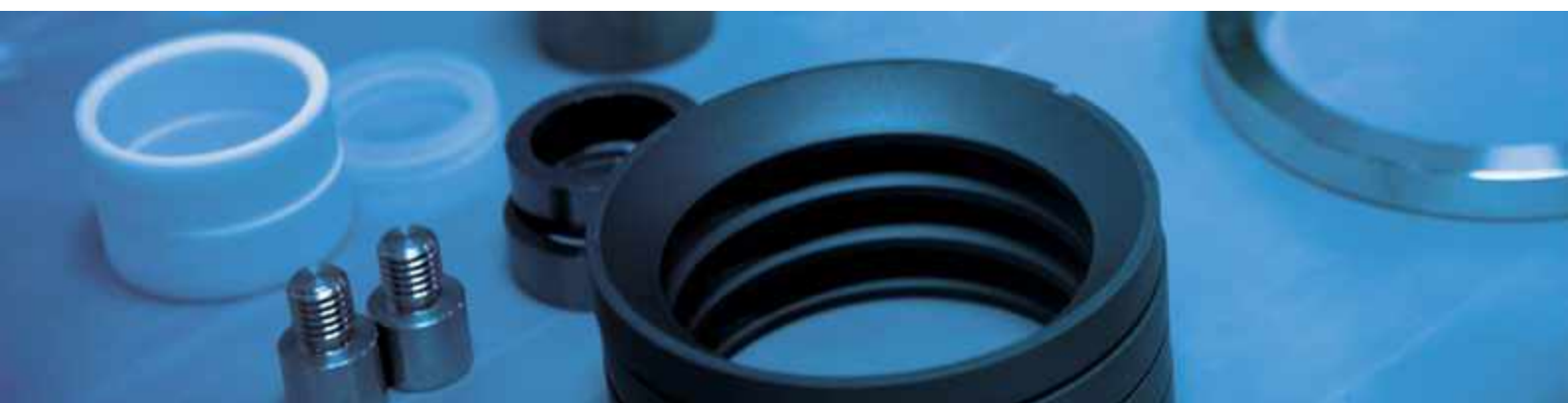
Cavity filler seat



Metal seat



V-port seat



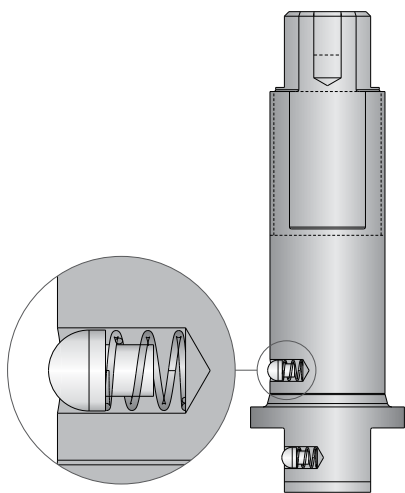
# VALVE FEATURES

## Stem Design

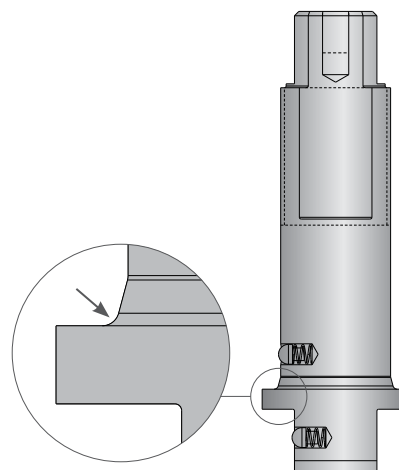
A crucial component in a quarter-turn ball valve is the stem, which transfers the torque from the operator to rotate the ball and control its movement. The stem geometry and surface finish is crucial to minimize stem leak and maximize ease of operation. The stem is a dynamic element and, in most cases, is the only element that protrudes from the pressure vessel and is thus subject to safety issues as well. Habonim's robust stem design complies with ASME B16.34 and API 6D and can endure at least twice the valve's nominal torque. To solve a major safety issue, the stem is designed to be "blowout-proof". Because it is inserted into the valve body from within, the stem will not release under pressure. All Habonim stems are, by default, fire-safe design. A special chamfer is machined at the root of the stem so that, in the event of fire, the stem is pushed upwards and seals against the valve body - metal to metal engagement. Various stem materials are available, from austenitic stainless steel to nickel alloys, to titanium for light and moderate torque requirements, and for high cycle applications or high torque demands. The stem top planes for valve sizes ½" (DN15) up to 2½" (DN65) are typically a Double-D shape, while 3" (DN80) stems and above typically have a square shaft (although a Double-D stem can be provided upon request by adding the 'WR' suffix to the valve description).

## Anti-Static Design

An anti-static device provides for electrical continuity between the body, ball and shaft of the valve and is used to discharge static electricity buildup on electrically isolated balls. According to the EN ISO 17292 standard, all valves with a size up to 2" (DN ≤ 50) require a stem/body contact, while larger valve sizes also require a ball/stem contact. The anti-static feature shall have electrical continuity across the discharge path with a resistance not exceeding 10 Ω from a power source not exceeding 12 VDC when type tested on a new, dry, as built valve after pressure testing and cycling of the valve at least five times. The Habonim anti-static device, in which contact is made via a spring loaded stainless steel element, complies with EN ISO 17292 and is, in fact, built-in to all Habonim valve product lines, without exception.



Anti-static design



Stem design



## Stem Seals

The valve trim - and the valve stem seal design in particular - determine the quality of a valve. The stem seal must perform two tasks: keep the media within the boundaries of the pressure vessel, and allow uninterrupted leak-free continuous open/closed quarter-turn rotation.

Unlike the valve body's static seal, the stem seal is subject to dynamic operation of the valve, as well as to side loads resulting from actuator misalignment or from the operator forcing the handle incorrectly. The valve trim typically comprises two Belleville springs assembled Face-to-Face, which preload the stem seal. This self-adjusting mechanism compensates for wear and pressure/temperature differentials - ensuring a leak-tight seal and extended service life. Habonim's trim design for heavy-duty service, such as high cycle applications, uses four or even six sets of Belleville springs so as to maintain preload over a longer operational cycle life. The Belleville springs are compressed by the stem nut, which is locked to prevent unintentional release during cycles.

Habonim's stem seal design, consisting of a live-loaded thrust bearing and anti-abrasion ring combined with a stem seal, significantly increases valve cycle life over conventional ball valves and extends the time between adjustments.



# VALVE FEATURES

## Stem Seals

### Graphite-free fire safe HermetiX™ stem seal

The patented HermetiX™ stem seal is named for its distinctive “X”-shaped design. The flexible “X” shape creates a dynamic sealing arrangement so that, in the event of pressure buildup or side load, the HermetiX™ adjusts dynamically to prevent fugitive emissions. The result is a superior stem seal design compared with the conventional flat stem seals currently available on the market.

The HermetiX™ Fire-safe. This patented design includes a polymer based stem seal and a unique fire safe certified construction. The graphite-free stem seal, suitable for use in hazardous industries such as chemical, petrochemical, oil & gas, Food & Beverages is designed to operate for 500,000 cycles without refurbishment. The HermetiX™ fire safe valve offers the ultimate solution - an exclusive graphite free stem seal that eliminates the risk of graphite disintegration after prolonged valve cycles, protecting both line materials and air quality. The HermetiX™ fire safe valve meets the requirements of fire-safe API 607 / ISO 10497 standards, as well as the stringent ISO 15848-1 standard.

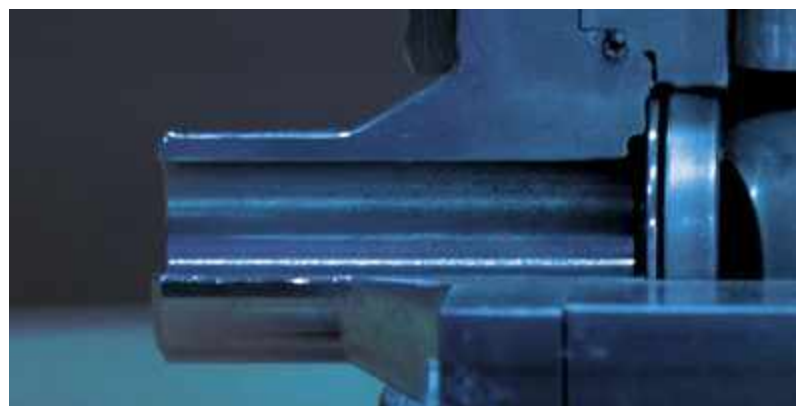
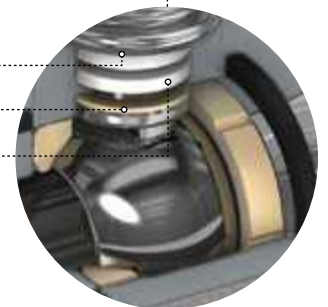
### Features

- Prevents media contamination from graphite particles
- FDA, CE1935:2004 approved polymer or other materials is available upon request
- Fugitive emission certified to ISO 15848-1 and API 641
- Habonim patented design
- Designed to operate for 500,000 cycles without refurbishment
- Prevents media contamination from graphite particles
- Ensures uninterrupted production
- Increases site safety
- Anti-static as standard



No pressure    Pressure build-up    Side load

Slide bearing  
Thrust seal  
HermetiX™ stem seal



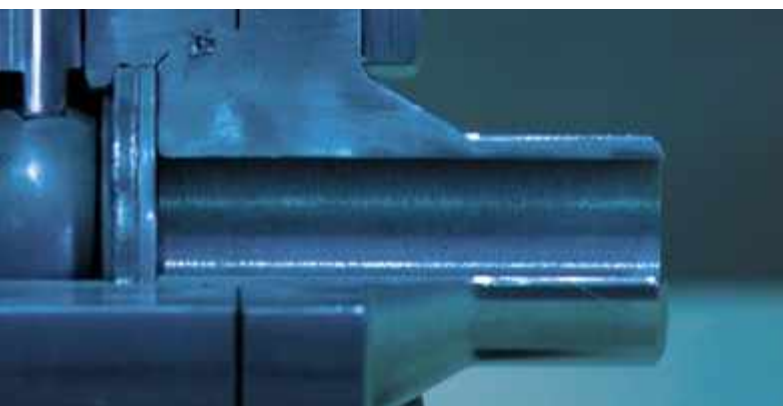
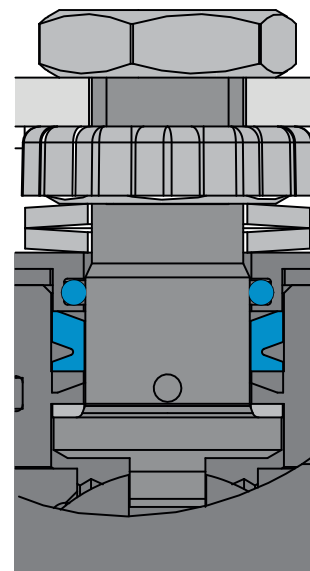


## High Cycle (HC) Stem seal

High cycle service is defined by Habonim engineering as continuous operation for more than one hour at a frequency greater than 1 cycle / 180 seconds.

When designing a valve for high cycle service parameters, such as heat dissipation due to friction of metallic and plastic parts, resistance to fatigue stress, and mean time between maintenance activities must be taken into consideration.

For high cycle applications Habonim recommends the use of valve stems made of high tensile material. The stem will be polished for a high degree of surface roughness. The stem thrust seal will always be made from highly wear-resistant plastic material. A Viton O-ring is inserted into a customized follower. The complete trim assembly is preloaded by a double or even triple Belleville spring stack. All of these design features give the valve a particularly long service life.



# VALVE FEATURES

## End Connections

Habonim offers a variety of end connections for its 3-piece valves, supporting the industry standard connections for piping in diverse applications and geographies.



### TC/TCI/TCD

Tri-Clamp end - designed to ASME BPE (TC) standard, allows fast connection or removal of the valve from the line. Mainly used in the pharmaceutical and food & beverage industries.

### BW

Buttweld end for various pipe schedule - designed to ASME B16.25, EN12627-4, BW code stands for buttweld schedule 40, for different pipe schedule BW should be followed by the relevant schedule number (5,10,80,160)



### SW

Socket-weld end one piece solid cast designed to ASME B16.11 and EN 12760. Leaving a 1 mm gap (average) between the pipe end and the socket inner plan is a common welding practice to avoid internal stress due to thermal expansion during the welding process



### XBW

Extended buttweld end for various pipe schedule - one piece solid cast - special design for in-line welding save labor cost and keep the integrity of the product factory tested.



### XSW

Extended Socket-weld end one piece solid cast - special design for in-line welding save labor cost and keep the integrity of the product 'factory tested'



### BWO / BWI / BWD

Buttweld end for various tube standards - designed to ASME BPE (BWO), ISO 1127 (BWI) and DIN 11850 (BWD). The length of this end doesn't allow the use of orbital welding.



### ETO / ETI / ETD

Extended buttweld end for various tube standards - designed to ASME BPE (ETO), ISO 1127 (ETI) and DIN 11850 (ETD). One piece solid cast with sufficient length to allow the use of orbital welding. Habonim ETD end connections are designed in accordance to EN10357 – Series A.

Habonim ETI end connections are designed in accordance to EN10357 – Series C.

Dimensions of the end-connections tube ends are suitable to be welded on tubes that meet this standard.

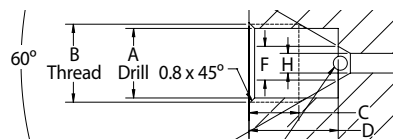
For other tube sized ends please contact a Habonim representative.







Size	Dimensions - mm (inches)					
	A	B	C	D	F	H
02	9.9(25/64)	7/16-20	7.1(.28)	12.7(.28)	4.8(.19)	2.8(.109)
03	13.1(33/64)	9/16-18	9.6(.38)	9.6(.38)	7.9(.31)	5.2(.203)
06	19.1(3/4)	13/16-16	11.1(.44)	11.1(.44)	12.7(.50)	9.1(.359)
07	32.9(1.19/64)	3/4-14	12.7(.50)	12.7(.50)	16 (.63)	11.1(.438)
10	45.47(1.79)	1 3/8-12	20.6(.81)	20.6(.81)	22.4(.88)	14.3(.562)



### CTM

Coned and Threaded type female connection to be used with Coned & Threaded medium-pressure tubing and connection components.

Female connection geometry and sizes per the above.

Flanged			
150	ASME B16.5 #150 RF	PN16	EN1092 PN16 RF
300	ASME B16.5 #300 RF	PN40	EN1092 PN40 RF
600	ASME B16.5 #600 RF	PN63	EN1092 PN63 RF
900	ASME B16.5 #900 RF	PN100	EN1092 PN100 RF
		PN160	EN1092 PN160 RF



### 150/300/600/900 | PN16/40/63/100/160

Raised Face flange ends designed to ASME B16.5 or EN1092 for a variety of pressure classes.

Valve Face To Face sizes are per Habonim catalog data only.

### NPT / BSPT / DIN2999 / DIN3852

Female thread end designed to ASME B1.20.1 NPT EN 10226-1 BSPT/DIN2999/DIN3852 and more



### MNPT / MBSPT

Male thread end designed to ASME B1.20.1 NPT EN 10226-1 BSPT/DIN2999/DIN3852 and more



### LL / LM

Compression ends for metric (code LM followed by the tube OD in mm) or imperial (code LL) tube dimensions. mainly used in instrumentation services, with sizes up to 1" (DN25)



### Grayloc®

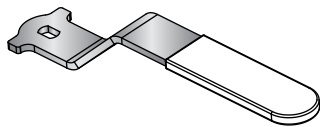
Grayloc® compatible hub designed to fit an opposite hub for an easy low or high pressure connection Using a self-energized seal (Grayloc® is a registered trademark of Grayloc Products, L.L.C.)



# VALVE FEATURES

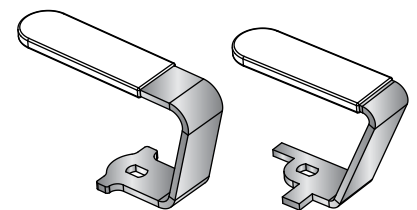
## Handles

A valve handle is the interface between the operator's hand and the valve trim. Habonim's handles are designed for safe operation, with a firm and comfortable grip. To facilitate ease of operation, the handle length ensures that the maximum force required at the handle-end to apply the breakaway torque will never exceed 360 N (80 lbf). The handles are manufactured in a variety of technologies: casting, forging, punching, and laser cut and welding. The standard materials are zinc plated carbon steel and stainless steel. Habonim's range of handle designs addresses the diverse needs of multiple applications.



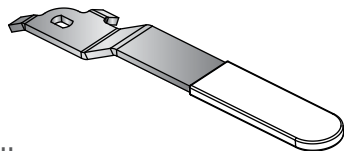
### The 'SHARK' handle

Habonim's standard handle for valves with an ISO 5211 top pad.



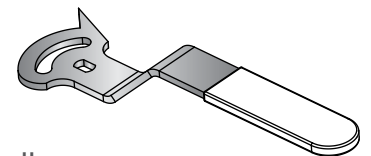
### The 'SCORPION' handle

Habonim's special handle for confined spaces. There are two types to accommodate valves with or without an ISO 5211 top pad. To specify a valve with the SCORPION handle add the '-SCRIP' suffix to the valve code.



### The 'POINTER' handle

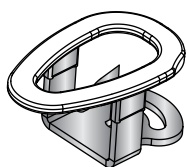
Habonim's standard handle for valves without an ISO 5211 top pad.



### The 'ADJUSTABLE' handle

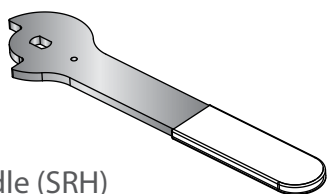
Habonim's special handle for manually controlled valves. It is supplied as part of a kit that includes a lock-in-place mechanism and a mirror-polished scale for clear identification of the valve's angular position. To specify a valve with the ADJUSTABLE handle add the '-ADJ' suffix to the valve code.





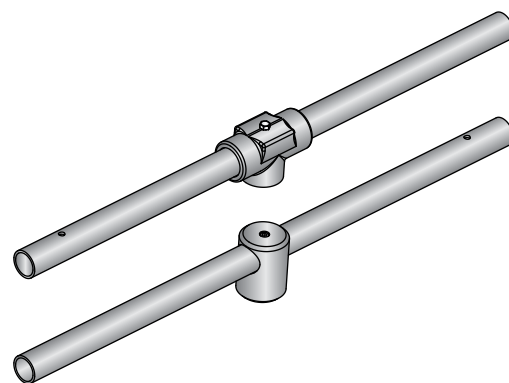
### The 'OVAL' handle

Habonim's special handle designed to avoid unintentional movement of the valve handle. It is also used in confined spaces where the handle must not protrude beyond the valve's Face-to-Face plate. To specify a valve with the OVAL handle add the '-OVL' suffix to the valve code.



### The Spring Return Handle (SRH)

An extra thick handle design to withstand the severe impact during valve closing. This handle is part of the SRH unit.



### Habonim's standard handle for large valves (2½" and above)

Habonim's standard handle for large (2½" and above) cryogenic, high pressure and metal-seated valves, and for large (3" and above) standard valves. It provides a firm grip and smooth operation. The maximum force required at the handle-end to apply the breakaway torque shall not exceed 360 N (80 lbf). Habonim supplies valves with 2½" standard port and above for manual operation with handles attached to or packed with the valve. (with the exemption of 47 series which is for 3" standard port and above). If the valve is to be automatically actuated, Habonim removes the handle and prepares the valve stem seal accordingly. To specify a valve prepared for automated actuation, add the '-BS' (bare shaft) suffix to the valve code. The '-BS' suffix does not apply to valves size up to and including 2.







# SPECIAL USE VALVES

<b>General</b> .....	38
Hydrogen Service (H) Ball Valves .....	39
Ammonia Service (M) Ball Valves .....	49
Oxygen Service (O) Ball Valves .....	53
Chlorine Service (K) Ball Valves .....	57

# SPECIAL USE VALVES

## General



Habonim's Special Use product line valves are subject to the general Habonim valves design, materials, practices, methodologies and certifications – for more information, see Valves General chapter.



Habonim Special Use valves are equipped with the Total HermetiX integrity package for superior sealing, safety and environmental care.

Special use valves are Habonim valves that are specially adapted to be used and serve in applications that have unique requirements on one or more of the valve designs, materials in use, assembly, packing, testing or even certifying. Information on such applications and the valve adaptations are in the following pages. The full valve information is available on each valve series catalog chapter.

### Disclaimer & Warning:

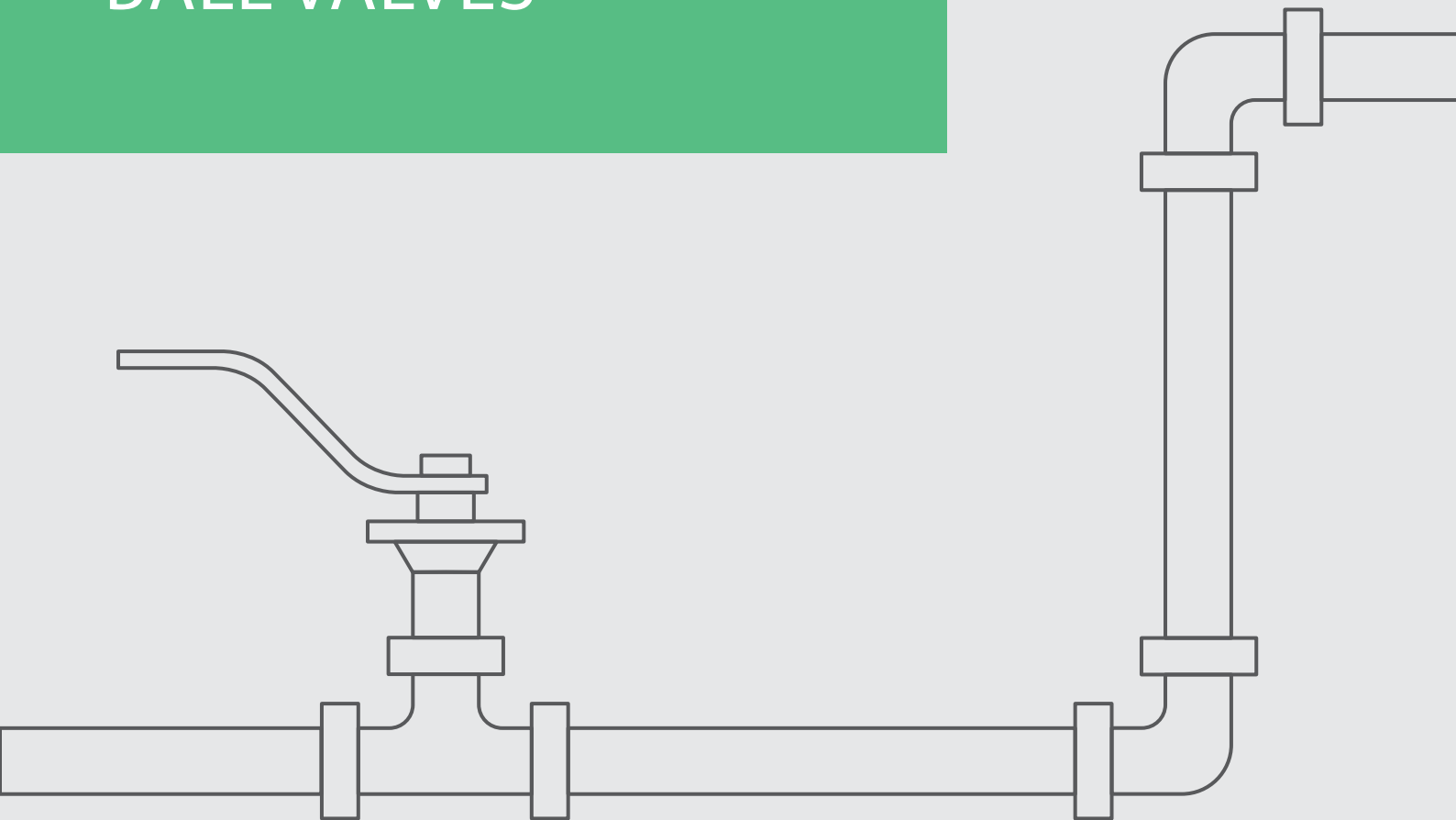
It is always the system designer and the end-user responsibility to verify all equipment use in their system is properly selected to ensure safety and integrity of their systems. Habonim offers only general information based on common market knowledge and standard market adaptations for its valves. For each system and use, the system designer and end-user must consider the particular operations conditions, media parameters and any other implication of their system for the proper selection of valves to be used on their solely responsibility.



Ammonia Service 12" Double Block and Bleed trunnion valve

# HYDROGEN SERVICE

## BALL VALVES





## Hydrogen Service Ball Valves (H)

Habonim's hydrogen service ball valves are designed and tested to provide safe and durable use within diverse hydrogen application and address some leading industrial standards. With decades of proven safe and long-lasting use in hydrogen applications Habonim Hydrogen-service ball valves delivers reliability and integrity for industrial demanding applications.

Habonim is offering a full range of ball valves for hydrogen-use based on the legacy products families to cover low to very-high pressures, shut-off or control use, regular, multiport, Double Block & Bleed or custom-made designs, valve automation packages and much more.

### Hydrogen

Hydrogen light atomic weight and molecule structure turning hydrogen-use equipment sealing into a challenge requires special designs, mechanisms and expertise. Hydrogen is highly combustion and flammable making leakage prevention an essence for safety and integrity of systems and materials selection should consider hydrogen effects as Hydrogen Embrittlement (HE).

### Design

Habonim Hydrogen-use ball valves incorporate some design elements to best accommodate the hydrogen media:

#### Double Stem Sealing

Habonim HermetiX patented stem seal is used with additional O-ring sealing.

The HermetiX polymeric, non-graphite stem seal design is certified for ISO15848-1 and API641 fugitive emission prevention standards, tested with He.

An additional O-ring stem seal is added as additional sealing point.

This design has been successfully tested for 100,000 open/close cycles under pressure without any maintenance or seals replacements and well performs in demanding hydrogen applications for decades.

#### Hydrogen-use material compatibility

All material used for the valve constructions are specified for safe use with hydrogen media.

Metallic materials to be used in the valves are selected to withstand the hydrogen embrittlement effects and are compatible for hydrogen use.

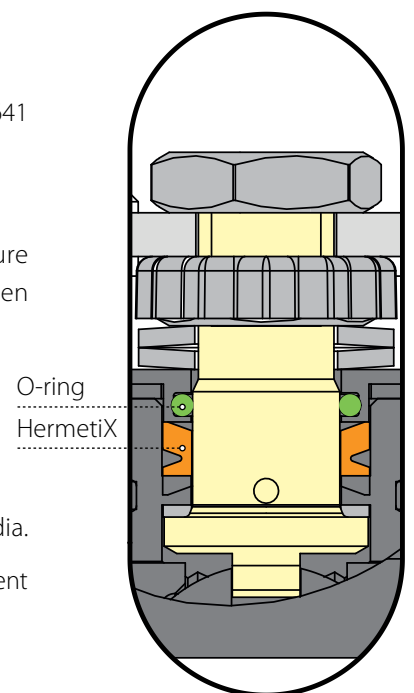
#### Testing & Certifications

Some of the ball valves series are tested or certified for specific standard relevant for hydrogen use such as:

ISO19880-3:2018 Gaseous hydrogen – fueling stations valve

TPED – Transportable Pressure Equipment Directive

Marine classification (on demand): DNV GL, LR, BV, ABS, KR, RINA







# Hydrogen Service Ball Valves (H)

## Total HermetiX integrity package

### Materials selection for Hydrogen use

Unless explicitly specified in our Ordering Codes for Hydrogen Service, when using our valves for Hydrogen Service (Feature "H") material selection should be:

- Body & ends - Stainless steel.
- Inner seal - Viton or consult Habonim.

### Zero fugitive-emission stem sealing

- HermetiX stem sealing design with zero fugitive emission sealing capability.
- Tested according to ISO 15848-1 and API641 standards.
- Up to 500,000 cycles of operation with no maintenance.
- Field proven for millions of cycles.

### Double body sealing

- Body double sealing for superior atmospheric sealing.
- Fugitive emission prevention.

### Fire safe

- Design compatible with API 607 and ISO 10497.
- Clean fire-safe construction for no graphite contamination of the media flow.

### Inline superior sealing

## Quick Selection Table

Total Hermetix™ | Port:  Standard Port  Full Port  Tube Size  
 Ordering Code | End Connections:  Threaded  Coned & Threaded  Flanged  Welded

	Category	Ball Valve	Design Type	OC	Series	TH	Port	End Con.	Valve Size (Inches)										MWP (ANSI Class)							
									1/4	3/8	1/2	5/8	3/4	1	1 1/4	1 1/2	2	2 1/2	3	4	6	8	10	12	14	16
Temperature: -60°C -- +260°C (-76 °F -- +500 °F)	High Pressure	Trunnion	Threaded body	<input checked="" type="checkbox"/>	H99	<input checked="" type="checkbox"/>		<input checked="" type="checkbox"/>	<input checked="" type="checkbox"/>	1,000bar (15,000psi)																
			3 Piece	<input checked="" type="checkbox"/>	H96	<input checked="" type="checkbox"/>	<input checked="" type="checkbox"/>	<input checked="" type="checkbox"/>	<input checked="" type="checkbox"/>	2500																
			3 Piece	<input checked="" type="checkbox"/>	H95	<input checked="" type="checkbox"/>	<input checked="" type="checkbox"/>	<input checked="" type="checkbox"/>	<input checked="" type="checkbox"/>	<input checked="" type="checkbox"/>	1500															
		Floating	Threaded body	<input checked="" type="checkbox"/>	H29	<input checked="" type="checkbox"/>		<input checked="" type="checkbox"/>	<input checked="" type="checkbox"/>	<input checked="" type="checkbox"/>	1,000bar (15,000psi) with TPED - 700bar (10,000psi)															
			Threaded body	<input checked="" type="checkbox"/>	H24	<input checked="" type="checkbox"/>	<input checked="" type="checkbox"/>	<input checked="" type="checkbox"/>	<input checked="" type="checkbox"/>	<input checked="" type="checkbox"/>	*500bar Class 2500 (7,250psi)															
			3 Piece	<input checked="" type="checkbox"/>		<input checked="" type="checkbox"/>	<input checked="" type="checkbox"/>	<input checked="" type="checkbox"/>	<input checked="" type="checkbox"/>	<input checked="" type="checkbox"/>	2500 / 1500															
	Industrial Use	Trunnion	3 Piece	<input checked="" type="checkbox"/>	<input checked="" type="checkbox"/>	<input checked="" type="checkbox"/>	<input checked="" type="checkbox"/>	<input checked="" type="checkbox"/>	<input checked="" type="checkbox"/>	900/600/300/150																
			2 Piece	<input checked="" type="checkbox"/>	<input checked="" type="checkbox"/>	<input checked="" type="checkbox"/>	<input checked="" type="checkbox"/>	<input checked="" type="checkbox"/>	<input checked="" type="checkbox"/>	600/300/150																
		Floating	3 Piece	<input checked="" type="checkbox"/>	<input checked="" type="checkbox"/>	<input checked="" type="checkbox"/>	<input checked="" type="checkbox"/>	<input checked="" type="checkbox"/>	<input checked="" type="checkbox"/>	<input checked="" type="checkbox"/>	900/600/400/300/150															
			2/1 Piece	<input checked="" type="checkbox"/>	<input checked="" type="checkbox"/>	<input checked="" type="checkbox"/>	<input checked="" type="checkbox"/>	<input checked="" type="checkbox"/>	<input checked="" type="checkbox"/>	<input checked="" type="checkbox"/>	300/150/PN40/PN16															
			DS/DBB	<input checked="" type="checkbox"/>	<input checked="" type="checkbox"/>	<input checked="" type="checkbox"/>	<input checked="" type="checkbox"/>	<input checked="" type="checkbox"/>	<input checked="" type="checkbox"/>	<input checked="" type="checkbox"/>	600/300/150/PN16															
			Multiport / Diverter	<input checked="" type="checkbox"/>	<input checked="" type="checkbox"/>	<input checked="" type="checkbox"/>	<input checked="" type="checkbox"/>	<input checked="" type="checkbox"/>	<input checked="" type="checkbox"/>	<input checked="" type="checkbox"/>	600/300/150															
			Control	<input checked="" type="checkbox"/>	<input checked="" type="checkbox"/>	<input checked="" type="checkbox"/>	<input checked="" type="checkbox"/>	<input checked="" type="checkbox"/>	<input checked="" type="checkbox"/>	<input checked="" type="checkbox"/>	900/400/300/150/PN40/PN16															
				<input checked="" type="checkbox"/>	See Industrial	<input checked="" type="checkbox"/>	<input checked="" type="checkbox"/>	<input checked="" type="checkbox"/>	<input checked="" type="checkbox"/>	<input checked="" type="checkbox"/>	<input checked="" type="checkbox"/>															
	<input checked="" type="checkbox"/>	See Control	<input checked="" type="checkbox"/>	<input checked="" type="checkbox"/>	<input checked="" type="checkbox"/>	<input checked="" type="checkbox"/>	<input checked="" type="checkbox"/>	<input checked="" type="checkbox"/>																		

\* with TPED - Class 2500

## Hydrogen Service High Pressure Trunnion Ball Threaded body

### Technical Information

#### Operation

Maximum Working pressure 1,000bar (15,000psi).

Working temperature: -40°C up to +260°C (-72°F up to +500°F).

#### Design

- Threaded body
- Trunnion ball
- Automation-ready with standard ISO 5211 connecting plate
- Total HermetiX Integrity package with:  
ISO15848-1 and API 641 emission standard certificated design  
ISO10497 and API607 fire-safe standard certificated design  
Double body sealing

#### Testing & Certifications

- ISO19880-3:2018 Gaseous hydrogen – fueling stations valve,
- TPED
- 100% shell & inline leak tested
- Marine classification (on demand): DNV GL, LR, BV, ABS, KR, RINA, others

#### Materials

- Stainless steel body & ends.
- All materials compatible for Hydrogen use.

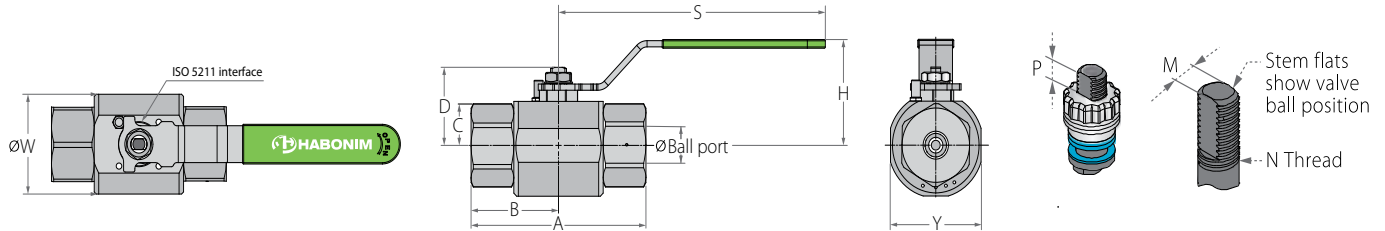
### End connections

Valve size code	Connection			Minimum orifice mm(inch)	Cv	Kv
02	Medium Pressure Coned & Threaded	CTM	1/4"	2.8	0.33	0.29
03		CTM	3/8"	5.2	1.17	1.01
06		CTM	9/16"	7.9	4.39	3.80
07		CTM	3/4"	11.15	20.63	17.85
10		CTM	1"	11.15	9.81	8.49
02	High Pressure Coned & Threaded	CTH	1/4"	2.4	0.24	0.21
03		CTH	3/8"	3.2	0.43	0.37
06		CTH(F562C40)	9/16"	6.4	2.34	2.02
10		CTH	1"	11.15	20.63	17.85
02	Threaded	NPT/BSPP/DIN3852/BSPT	1/4"	6.35	1.62	1.40
03		NPT/BSPP/DIN3852/BSPT	3/8"	9.52	5.76	4.98
05		NPT/BSPP/DIN3852/BSPT	1/2"	11.15	8.6	7.44
07		NPT/BSPP/DIN3852/BSPT	3/4"	11.15	5.06	4.38
10		NPT/BSPP/DIN3852/BSPT	1"	11.15	4.7	4.07



# Hydrogen Service High Pressure Trunnion Ball Threaded body

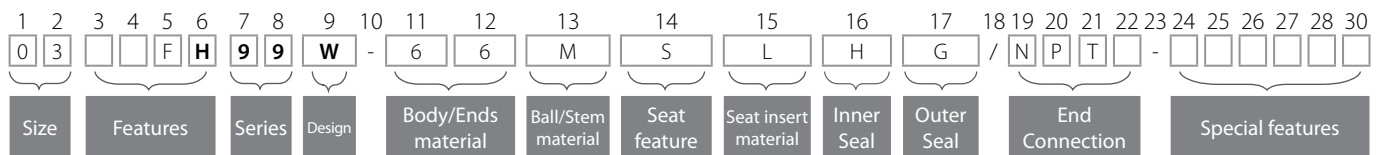
Valve dimensions  
ISO 5211 Interface -F05



Full port	Unit	Ball port	A	B	C	D	H	M	N	P	W	S	Y
DN8	mm	11.15	155.4	77.7	33.00	48.00	84.4	8.65	9/16" UNF	19.5	85	237	80.5
1/4"	inch	0.44	6.12	3.06	1.30	2.48	3.32	0.34		0.77	3.46	9.33	3.17
DN10	mm	11.15	155.4	77.7	33.00	63.00	84.4	8.65		19.5	85	237	80.5
3/8"	inch	0.44	6.12	3.06	1.30	2.48	3.32	0.34		0.77	3.46	9.33	3.17
DN12	mm	11.15	155.4	77.7	33.00	63.00	84.4	8.65		19.5	85	237	80.5
1/2"	inch	0.44	6.12	3.06	1.30	2.48	3.32	0.34		0.77	3.46	9.33	3.17
DN14	mm	11.15	155.4	77.7	33.00	63.00	84.4	8.65		19.5	85	237	80.5
5/16"	inch	0.44	6.12	3.06	1.30	2.48	3.32	0.34		0.77	3.46	9.33	3.17
DN20	mm	11.15	155.4	77.7	33.00	63.00	84.4	8.65		19.5	85	237	80.5
3/4"	inch	0.44	6.12	3.06	1.30	2.48	3.32	0.34		0.77	3.46	9.33	3.17
DN25	mm	11.15	175.4	87.7	33.00	63.00	84.4	8.65		19.5	85	237	80.5
1"	inch	0.44	6.9	3.45	1.30	2.48	3.32	0.34		0.77	3.46	9.33	3.17

## Ordering Code System

"Mandatory option" options are marked with **green background** | "Standard offer" options are marked with **light green background**



Size (1-2)		MWP bar (psi)		
Code	inch	mm	414 (6,000)	500 (7,250)
02	1/4"	8	+	+
03	3/8"	10	+	+
05 *	1/2"	15	Full port	Std. port only
07	3/4"	20	+	n/a
10	1"	25	+	n/a

\* Not applicable for CTM/CTH

Features (3-6)	
H	Hydrogen Service
F	Fire safe

Series (7-8)	
99	HP Trunnion 3 piece

Design (9)	
W	Total HermetiX Integrity package

Body/Ends material (11-12)	
6	S. Steel 316L

Ball/Stem material (13)	
M	High Strength S. Steel

Seat feature (14)	
S	Single Piston Effect (SPE) (API 6D DBB)

Seat Insert material (15)	
L	Virgin PEEK

Inner Seal material (16)	
H	HNBR
V	Viton
A	TFM
G	Expanded graphite

Outer Seal material (17)	
G	Expanded graphite
A	TFM

End connections (19-22)	
CTM	Coned & Threaded Medium pressure
CTH	Coned & Threaded High pressure
NPT	ASME B1.20.1 - National Pipe Taper thread
BSPP	ISO228-1 - Pipe Parallel thread
DIN3852	DIN3852 - Pipe Parallel thread
BSPT	EN - 10226 - Pipe Taper thread

# Hydrogen Service High Pressure Floating Ball Threaded body

## Technical Information

### Operation

Maximum Working pressure 1,000bar (15,000psi), with TPED mark up to 700bar (10,000psi)

Working temperature: -40°C up to +260°C (-72°F up to +500°F).

### Design

- Threaded body
- Automation-ready with standard ISO 5211 connecting plate
- Total HermetiX Integrity package with:
  - ISO15848-1 and API 641 emission standard certificated design
  - ISO10497 and API607 fire-safe standard certificated design
  - Double body sealing

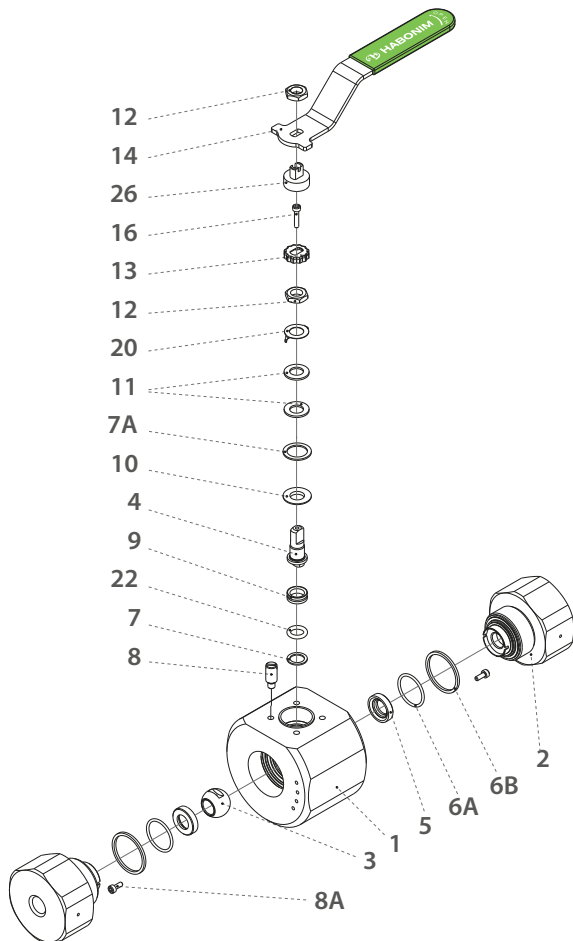
### Testing & Certifications

- ISO19880-3:2018 Gaseous hydrogen – fueling stations valve, Tested up to 700bar use (internal test with He)
- TPED, Certified (up to 700bar MWP)
- 100% shell & inline leak tested
- Marine classification (on demand): DNV GL, LR, BV, ABS, KR, RINA, others

### Materials

- Stainless steel body & ends.
- All materials compatible for Hydrogen use.

## Components & materials



Item	Description	Material specification	Qty.
1	Body	Acc. Ordering Code	1
2	End	Acc. Ordering Code	2
3	Ball	Acc. Ordering Code	1
4	Stem	Acc. Ordering Code	1
5	Seat	Acc. Ordering Code	2
6A	Body Inner seal	Acc. Ordering Code	2
6B	Body external seal	Acc. Ordering Code	2
7	Stem thrust seal	PEEK, PCTFE	1
7A	Anti-abrasion ring	PEEK, PCTFE	1
8	Stop pin	S. Steel	1
8A	Dowel Pin	S. Steel	2
9	Stem seal	CF PTFE, TFM	1
10	Follower	S. Steel	1
11	Disc spring	S. Steel	2
12	Stem nut	S. Steel	2
13	Locking clip	S. Steel	1
14	Handle	S. Steel	1
18	Sleeve	PVC	1
16	Bolt for adaptor	S. Steel	1
20	Anti static device	S. Steel	1
22	O-ring	Acc. Ordering Code	1
26	Adaptor	S. Steel	1



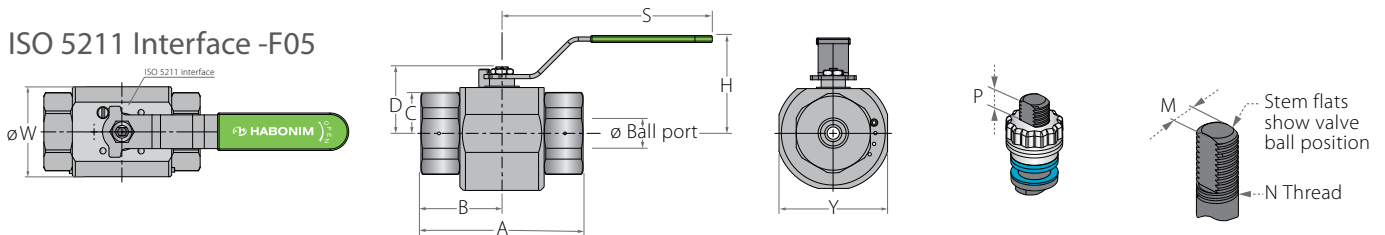
## Hydrogen Service High Pressure Floating Ball Threaded body

### End connections

Valve size code	Connection		Minimum orifice mm(inch)	Cv	Kv	
02	Medium Pressure Coned & Threaded	CTM	1/4"	2.8	0.33	0.29
03		CTM	3/8"	5.2	1.17	1.01
06		CTM	9/16"	7.9	4.39	3.80
07		CTM	3/4"	11.15	20.63	17.85
10		CTM	1"	11.15	9.81	8.49
02	High Pressure Coned & Threaded	CTH	1/4"	2.4	0.24	0.21
03		CTH	3/8"	3.2	0.43	0.37
06		CTH(F562C40)	9/16"	6.4	2.34	2.02
10		CTH	1"	11.15	20.63	17.85
02	Threaded	NPT/BSPP/DIN3852/BSPT	1/4"	6.35	1.62	1.40
03		NPT/BSPP/DIN3852/BSPT	3/8"	9.52	5.76	4.98
05		NPT/BSPP/DIN3852/BSPT	1/2"	11.15	8.6	7.44
07		NPT/BSPP/DIN3852/BSPT	3/4"	11.15	5.06	4.38
10		NPT/BSPP/DIN3852/BSPT	1"	11.15	4.7	4.07

### Valve dimensions

#### ISO 5211 Interface -F05



End Connection size	Unit	Ball port	A	B	C	D	H	M	N	P	W	S	Y
DN8	mm	11.15	116.4	58.2	33.00	50.7	76.8	5.54	3/8" UNF	11.1	85	151	80.5
1/4"	inch	0.44	4.58	2.29	1.30	2	3	0.22		0.43	3.46	5.94	3.17
DN10	mm	11.15	116.4	58.2	33.00	50.7	76.8	5.54		11.1	85	151	80.5
3/8"	inch	0.44	4.58	2.29	1.30	2	3	0.22		0.43	3.46	5.94	3.17
DN12	mm	11.15	116.4	58.2	33.00	50.7	76.8	5.54		11.1	85	151	80.5
1/2"	inch	0.44	4.58	2.29	1.30	2	3	0.22		0.43	3.46	5.94	3.17
DN14	mm	11.15	116.4	58.2	33.00	50.7	76.8	5.54		11.1	85	151	80.5
5/16"	inch	0.44	4.58	2.29	1.30	2	3	0.22		0.43	3.46	5.94	3.17
DN20	mm	11.15	116.4	58.2	33.00	50.7	76.8	5.54		11.1	85	151	80.5
3/4"	inch	0.44	4.58	2.29	1.30	2	3	0.22		0.43	3.46	5.94	3.17
DN25	mm	11.15	136.4	68.2	33.00	50.7	76.8	5.54		11.1	85	151	80.5
1"	inch	0.44	5.37	2.685	1.30	2	3	0.22		0.43	3.46	5.94	3.17

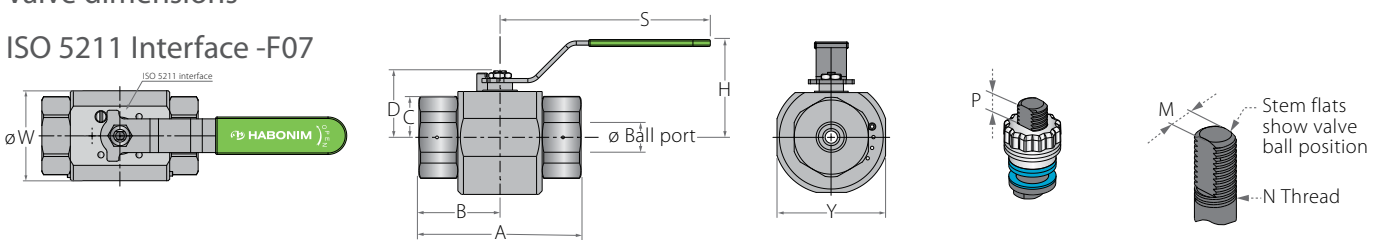
## Hydrogen Service High Pressure Floating Ball Threaded body

### End connections

Valve size code	Connection			Minimum orifice mm(inch)	Cv	Kv	
10	Medium Pressure Coned & Threaded	CTM	1"	Tube Size	14.3	14.11	12.21
15		CTM	1 1/2"		20.6	50.41	43.60
07	Threaded	NPT/BSPP/DIN3852/BSPT	3/4"	Thread Size	19	30.93	26.76
10		NPT/BSPP/DIN3852/BSPT	1"		20.6	23.79	20.58

### Valve dimensions

#### ISO 5211 Interface -F07



End Connection size	Unit	Ball port	A	B	C	D	H	M	N	P	W	S	Y
DN20	mm	20.6	215	107.5	48.25	68.00	95	8.65	3/16" UNF	8	119	273	116
3/4"	inch	0.81	8.46	4.23	1.90	2.67	3.74	0.34		0.31	4.68	10.75	0.56
DN25	mm	20.6	215	107.5	48.25	68.00	95	8.65		8	119	273	116
1"	inch	0.81	8.46	4.23	1.90	2.67	3.74	0.34		0.31	4.68	10.75	0.56
DN32	mm	20.6	215	107.5	48.25	68.00	95	8.65		8	119	273	116
1 1/4"	inch	0.81	8.46	4.23	1.90	2.67	3.74	0.34		0.31	4.68	10.75	0.56
DN38	mm	20.6	215	107.5	48.25	68.00	95	8.65		8	119	273	116
1 1/2"	inch	0.81	8.46	4.23	1.90	2.67	3.74	0.34		0.31	4.68	10.75	0.56

### Ordering Code System

"Mandatory option" options are marked with **green background** | "Standard offer" options are marked with **light green background**

1	2	3	4	5	6	7	8	9	10	11	12	13	14	15	16	17	18	19	20	21	22	23	24	25	26	27	28	30
0	3			F	H	2	9	W	-	6	6	M	M	L	H	G	/	C	T	M								
Size		Features			Series	Design	Body/Ends material		Ball material	Stem material	Seat material	Inner Seal	Outer Seal	End Connection			Special features											

Size (1-2)		
Code	inch	mm
02	1/4"	8
03	3/8"	10
05*	1/2"	13
06	9/16"	15
07	3/4"	20
10	1"	25
15	1 1/2"	40

\* Not applicable for CTM/CTH

Features (3-6)	
F	Fire safe
H	Hydrogen use
O	Clean assembly for O2 service
B	Body size B (700bar / 10,00psi)
Series (7-8)	
29	HP Float 3 piece
Design (9)	
W	Total HermetiX Integrity package
Body/Ends material (11-12)	
6	S. Steel 316L

Ball material (13)	
M	High Strength S. Steel
Stem material (14)	
M	High Strength S. Steel
Seat material (15)	
L	Virgin PEEK
Inner Seal Material (16)	
H	HNBR
V	Viton
A	TFM

Outer Seal Material (17)	
G	Expanded graphite
A	TFM

End connections (19-22)	
CTM	Coned & Threaded Medium pressure
CTH	Coned & Threaded High pressure
NPT	ASME B1.20.1 - National Pipe Taper thread
BSPP	ISO228-1 - Pipe Parallel thread
DIN3852	DIN3852 - Pipe Parallel thread
BSPT	EN 10226 - Pipe Taper thread



# Hydrogen Service High Pressure Floating Ball 3 Piece Threaded-Body

## Technical Information

### Operation

Maximum Working Pressure:  
 Size 1/4"-1/2" - 500bar (7,250psi)  
 Size 3/4"-1 1/2" - Class2500 414bar (6,000psi)  
 Working temperature: -60°C up to +260°C (-76°F up to +500°F).

### Design

- Threaded body
- Automation-ready with standard ISO 5211 connecting plate
- Total HermetiX Integrity package with:  
 ISO15848-1 and API 641 emission standard certificated design  
 ISO10497 and API607 fire-safe standard certificated design  
 Double body sealing

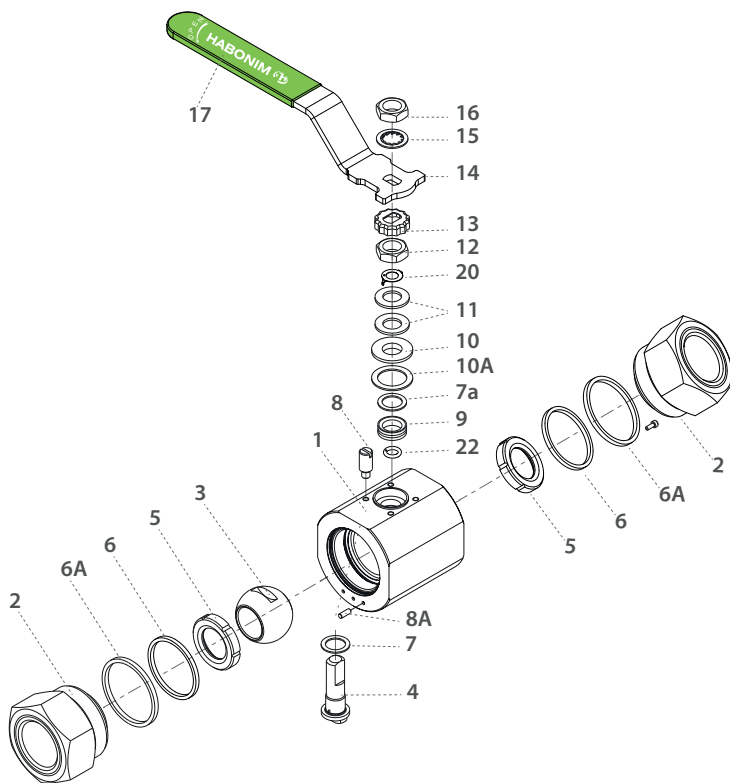
### Testing & Certifications

- TPED Certified, up to 414bar (6,000psi) MWP
- 100% shell & inline leak tested
- Marine classification (on demand): DNV GL, LR, BV, ABS, KR,
- RINA, others

### Materials

- Stainless steel body & ends
- All materials compatible for Hydrogen use

## Components & materials



Item	Description	Material specification	Qty.
1	Body	Acc. Ordering Code	1
2	End	Acc. Ordering Code	2
3	Ball	Acc. Ordering Code	1
4	Stem	Acc. Ordering Code	1
5*	Seat	Acc. Ordering Code	2
6*	Inner seal	Acc. Ordering Code	2
6A*	Outer seal	Acc. Ordering Code	2
7*	Stem thrust seal	PEEK, PCTFE	1
7a*	Anti-abrasion ring	PEEK, PCTFE	1
8	Stop pin	S. Steel	1
8A	Dowel Pin	S. Steel	2
9*	Stem seal	CF PTFE, TFM	1
10	Follower	S. Steel	1
10A*	Slide bearing	S. Steel	1
11	Disc spring	S. Steel	2
12	Stem nut	S. Steel	1
13	Locking clip	S. Steel	1
14	Handle	S. Steel	1
15	Serrated washer	S. Steel	1
16	Handle nut	S. Steel	1
17	Sleeve	PVC	1
20	Anti static device	S. Steel	1
22	O-ring	Acc. Ordering Code	1
23	Tag (not shown)	S. Steel	1

\* Repair kit components

H24

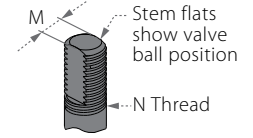
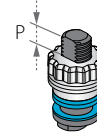
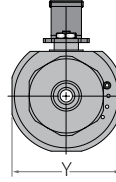
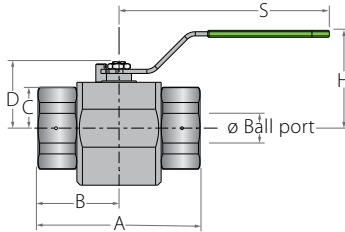
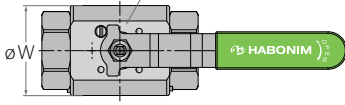
1/4"-1/2" | DN8-DN15 | PN500 (7,250PSI)  
 3/4"-1 1/2" | DN20-DN40 | CLASS 2500 PN420 (6,000PSI)



# Hydrogen Service High Pressure Floating Ball 3 Piece Threaded-Body

## Valve dimensions

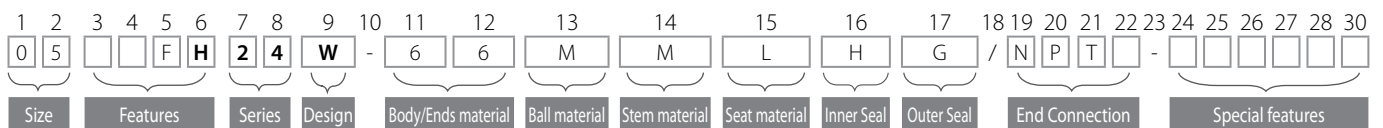
### ISO 5211 Interface



Std. port	Full port	Unit	Ball port	A	B	C	D	H	M	N	P	W	S	Y	weight kg/lb	kv cv
	DN8	mm	11.15	91	45.5	21.50	37.90	42.1	5.54	3/8" UNF	11.1	54	179	45	0.8	4.3
	1/4"	inch	0.44	3.58	1.79	0.84	1.49	1.66	0.22		0.43	2.12	7.05	1.77	1.76	5.00
DN15	DN10	mm	11.15	91	45.5	24.50	37.90	42.1	5.54	3/8" UNF	11.1	54	179	45	0.8	6.9
1/2"	3/8"	inch	0.44	3.58	1.79	0.84	1.49	1.66	0.22		0.43	2.12	7.05	1.77	1.76	8.00
DN20	DN15	mm	14.3	104.25	52.12	23.90	40.30	45	5.54	3/8" UNF	11.1	62	179	60	1.27	10
3/4"	1/2"	inch	0.56	4.10	2.05	0.94	1.59	1.77	0.22		0.43	2.44	7.05	2.36	2.79	12.00
DN25	DN20	mm	20.6	126.6	63.3	37.90	55.60	60.3	7.54	7/16" UNF	15.4	84.5	193	77	2.1	28
1"	3/4"	inch	0.81	4.98	2.49	1.49	2.19	2.37	0.29		0.60	3.32	7.60	3.03	4.63	32.00
DN32	DN25	mm	25.4	137.25	68.62	42.50	60.2	68.7	7.54	7/16" UNF	15.4	93	193	85	2.9	49
1 1/4"	1"	inch	1.00	5.40	2.70	1.67	2.37	2.70	0.29		0.90	3.66	7.60	3.34	6.39	57.00
DN40	DN32	mm	31.8	161.94	80.97	43.55	73.00	81.1	8.7	9/16" UNF	19.6	99	287	95	4.8	69
1 1/2"	1 1/4"	inch	1.50	6.37	3.18	1.71	2.87	3.19	3.19		0.77	3.89	11.30	3.74	10.58	80.00

## Ordering Code System

"Mandatory option" options are marked with **green background** | "Standard offer" options are marked with **light green background**



Size (1-2)		MWP bar (psi)		
Code	inch	mm	414 (6,000)	500 (7,250)
02	1/4"	8	+	+
03	3/8"	10	+	+
05	1/2"	15	Full port	Std. port only
07	3/4"	20	+	n/a
10	1"	25	+	n/a
12	1 1/4"	32	+	n/a
15	1 1/2"	40	Std. port only	n/a

Features (3-6)	
H	Hydrogen Service
F	Fire safe
B	Full port
O	Clean assembly for O2 service

Series (7-8)	
24	HP Float 3 piece

Design (9)	
W	Total HermetiX Integrity package

Body/Ends material (11-12)	
6	S. Steel 316L

Ball material (13)	
M	High Strength S. Steel

Stem material (14)	
M	High Strength S. Steel

Seat material (15)	
L	Virgin PEEK

Inner Seal Material (16)	
H	HNBR
V	Viton
T	PTFE

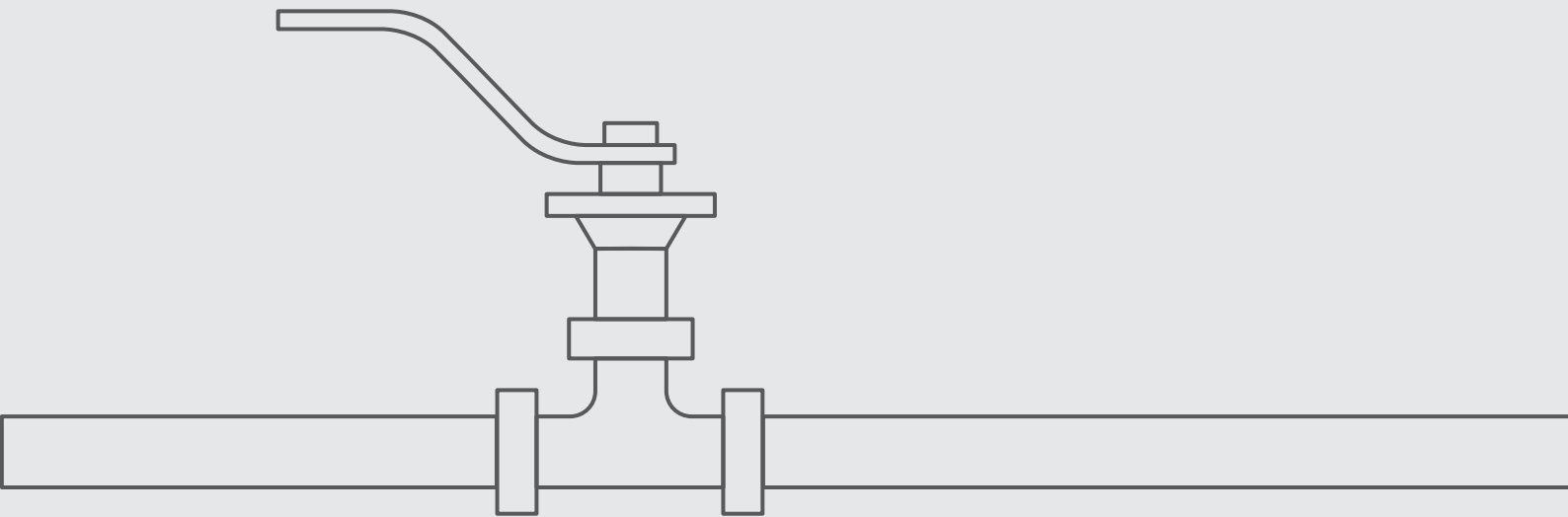
Outer Seal Material (17)	
G	Expanded graphite
A	TFM

End connections (19-22)	
Threaded Ends	
NPT	ASME B1.20.1 - National Pipe Taper thread
BSPP	ISO228-1 - Pipe Parallel thread
DIN3852	DIN3852 - Pipe Parallel thread
BSPT EN 10226	10226 - Pipe Taper thread
AS5202	AS 5202 on-face gasket sealing threaded connection
MNPT	Male NPT
SAE J1926-A	SAE J1926-A
Welded	
XBW80	Extended butt weld ends (sch80)



# AMMONIA SERVICE

## BALL VALVES



## Ammonia Service Ball Valves (M)

Habonim's ammonia service ball valves are suited to provide optimal protection and functionality for use in severe ammonia service applications. valves designated for ammonia service are specially prepared and cleaned to meet requirements for the safe operation of ammonia service equipment and media purity.

### Ammonia

Ammonia is a compound of nitrogen and hydrogen with the formula  $NH_3$ , at atmospheric conditions, ammonia is a colorless gas lighter than air with a pungent, suffocating odor. It is a highly caustic irritant that is both toxic and flammable. Ammonia is soluble in water to provide an alkaline solution.

Ammonia is lighter than air, its density 0.73 kg/m<sup>3</sup> (1.013 bar at 15 °C).

- Ammonia boiling point is -33 °C (-28 °F) at a pressure of 1 atmosphere, a liquid ammonia needs to be stored under high pressure or at low temperature.
- Ammonia melting point is -78 °C (-108 °F).

### Ammonia Uses

Manufactured by synthesis from nitrogen and hydrogen, ammonia has many uses in the production of fertilizers, plastics, explosives, pharmaceuticals, metal treating operations, refrigerant, cleaning agent and more. Ammonia is developing to be a major renewable fuel as a carrier of Hydrogen.

### Ammonia Hazards

Ammonia combined with oil, grease or other combustible substances can result in explosions. valves to be used in ammonia systems should be selected properly.

## General

Ammonia Service feature is available for part of Habonim's valves series – check series ordering codes for availability. Available valve sizes, types and variety of end connections are per each relevant series ordering codes.

### Design

Valves designed for ammonia in a liquid state should be equipped with an upstream pressure relief hole in the ball (Ordering code -P250).

The relief hole avoids trapped cavities in the valve closed position and pressure buildup due to thermal expansion during liquid ammonia boil off. A valve with relief hole in the ball is uni-directional, the relief hole must be positioned at the upstream flow direction for complete in-line sealing.

For Bi-directional valve design for liquid ammonia a Self-Relief Seats (Ordering code -SRS) should be used with seats material of TFM or CF PTFE, the SRS seat design dynamically release cavity pressure buildup and return to shutoff position once the over pressure is relieved. Valves designed for ammonia in the gaseous state do not require an upstream pressure relief hole.



**Self-Relieving-Seat (SRS)**



**Cavity pressure relief (P250 Ball)**

3 mm relief hole face the upstream

## Valve Component Materials

Due to the extreme noxious nature of ammonia, it is crucial that all valve components are constructed with appropriate materials.

### Materials recommendations

Bill of Materials	Wet Ammonia	Dry Ammonia
Body, ends, ball, stem	Stainless Steel 316/316L, CF8M/CF3M	Carbon Steel, WCB (min. temp. -29 °C, LCB min. -46 °C, LF2 min. -60 °C)
Seats	TFM (A), PTFE (T), CF PTFE (P), Glass filled PTFE (R), PEEK (K), CF PEEK	TFM (A), PTFE (T), CF PTFE (P), Glass filled PTFE (R), PEEK (K)
Seals	PTFE (T)	PTFE (T)

## Cleaning, Assembling and Packing

All valve components used for ammonia service, in gaseous or liquid state, are de-burred to a high standard and specifically cleaned to remove any traces of oil, grease or hydrocarbon materials prior to assembly.

Ammonia service valves are assembled in an oil-free restricted area by personnel who are specially equipped and trained to perform this task. The assembling area, work surfaces, equipment and tools are specially maintained to ensure cleanliness requirements are met.

Only lubricants compatible with ammonia are used.

- Valves are packed in open position with capped ends and plastic bagged
- Each valve is packed with a 'Silica-gel pack'
- A sticker on the plastic bag indicating "Ammonia Service"

## Optional Accessories

### Fugitive Emission Bonnet (FE)

An important safety mechanism that Habonim offers for ammonia service is the Fugitive Emission bonnet (FE). A stainless-steel pressure chamber bolted on and sealed against the valve ISO 5211 top platform. The FE bonnet will accumulate ammonia leak, if occurred, and contain it in a confined space until a maintenance operation is scheduled.

A readily made purge ports at the FE bonnet top allow the site technician to connect pressure gauge, pressure transducer or ammonia sniffer to alert for ammonia leak through the valve stem seal. The FE bonnet allows stem seal redundancy, a simple design, yet crucial to enhance site safety in terms of ammonia leak through the atmosphere.

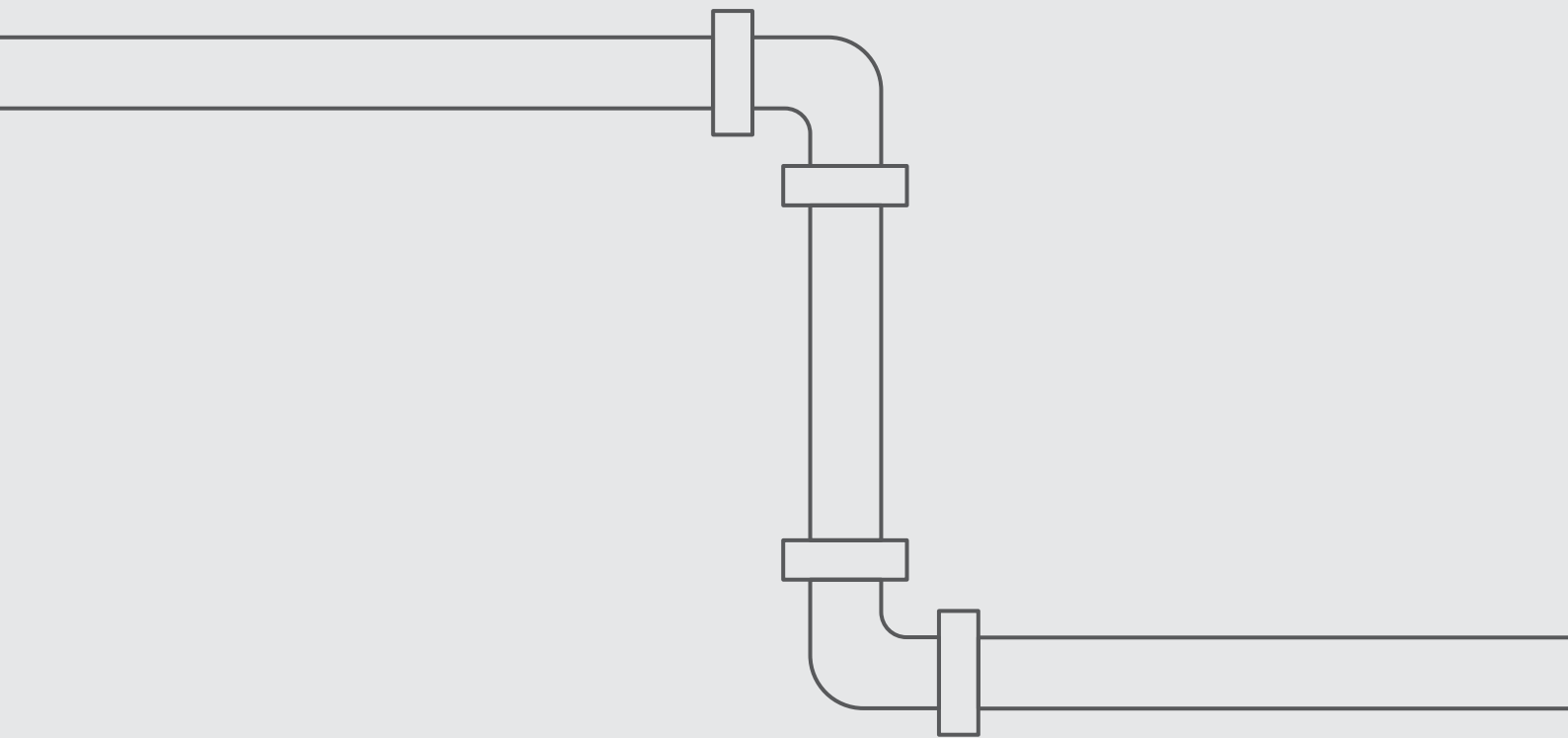
For more information see Habonim Valve Accessories catalog.

### Locking Device (LD)

As a safety measure, it is advisable that valve for ammonia service should be equipped with spring loaded locking device to avoid unauthorized or unintentional valve operation.

For more information see Habonim Valve Accessories catalog.

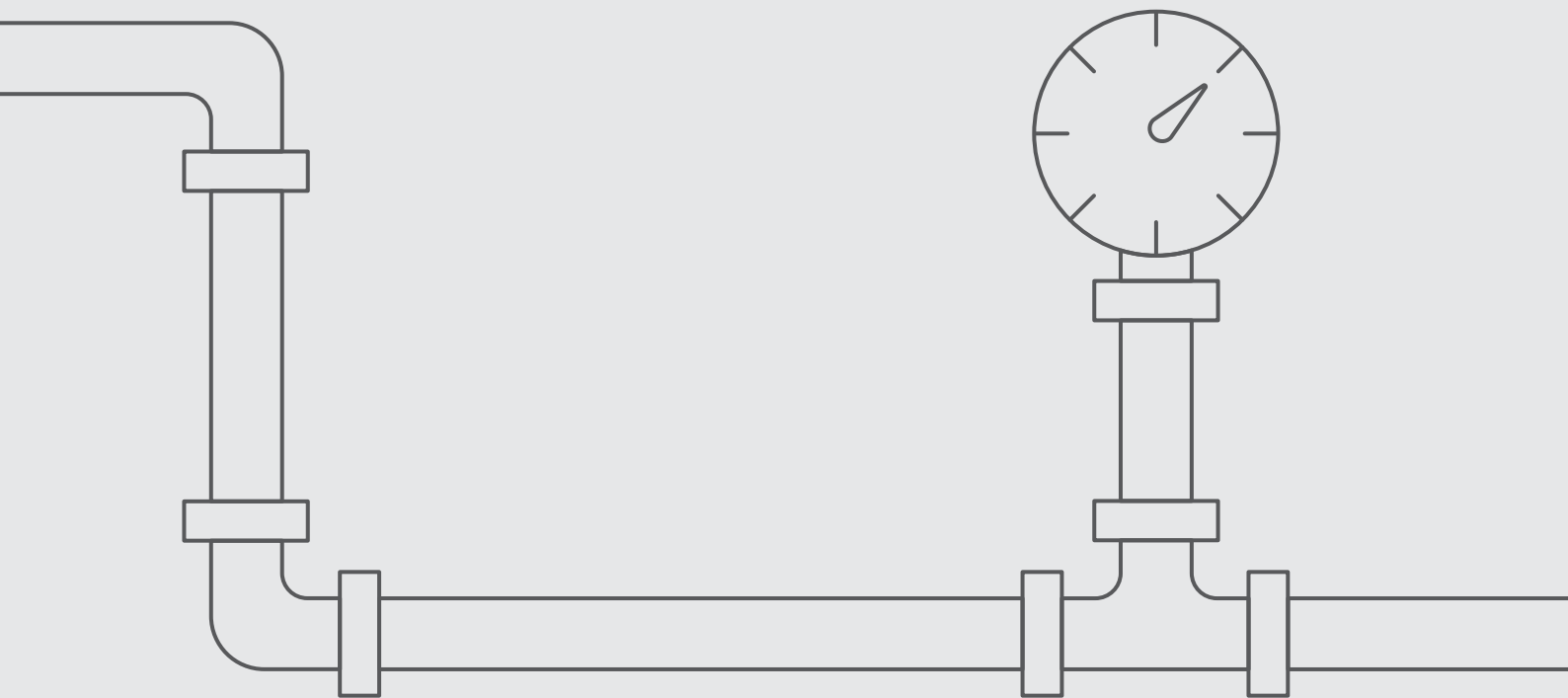






# OXYGEN SERVICE

## BALL VALVES



## Oxygen Service Ball Valves (O)

HABONIM ball valves for oxygen service are suited to be used with both liquid and gaseous oxygen, cleaned and assembled with required measures for a safe use in oxygen service equipment and avoid valve contamination to the media purity.

Note: Habonim oxygen service valves (O) are not following any medical-use or breathing oxygen standards or regulations.

### Oxygen

Oxygen, chemical element with symbol O<sub>2</sub>, content in air is approximately 21% by volume. Oxygen is an odorless, colorless gas, with many industrial uses, mainly in the manufacture of steel and chemicals. Oxygen itself is nonflammable, however materials that are flammable in air, burn far more vigorously mixed with oxygen. Oxygen is shipped as a non-liquefied gas at pressures of 2000 psig (138 bar) and above, also as a cryogenic liquid at pressures and temperatures below 13.8 bar (200 psi) and -146.5 °C (-232 °F). Air separation plants produce pure oxygen via liquefaction of atmospheric air and separation of the oxygen by fractionation. Also minute quantities of Oxygen can be produced by electrolysis of water.

Oxygen density is 1.429 kg/m<sup>3</sup> (1.013 bar at 0 °C) Oxygen boiling point -182.95 °C (-297.31 °F) at a pressure of 1 atmosphere, the liquid oxygen usually stored under high pressure or at cryogenic temperature. Oxygen melting point -218.79 °C (-361.82 °F).

### Oxygen Uses

Oxygen is used extensively in medicine, high altitude flying, deep sea diving and as rocket fuel. Industrial applications include utilization with acetylene, propane, hydrogen and other fuel gases for metal cutting, welding, hardening and scarfing. In steel and iron manufacturing, oxygen helps increase the capacity and efficiency of furnaces. Another major use of oxygen is in the making of 'Synthesis Gas' for production of gasoline, methanol and ammonia. Oxygen is also used in the manufacture of nitric acid, ethylene and other compounds.

### Oxygen Hazards

Oil, grease or other combustible substances should not be allowed to come in contact with oxygen service valves or components. Oxygen combined with these substances can result in explosions.



## General

Oxygen Service feature is available for part of Habonim's valves series – check series ordering codes for availability. Available valve sizes, types and variety of end connections are per each relevant series ordering codes.

### Valve Component Materials

Gaseous oxygen is non corrosive and may be contained in systems constructed of any common metal. Stainless steel, Monel, Bronze and Brass are sometimes the preferred materials for metal components coming into contact with gaseous Oxygen. In the extreme low temperatures of cryogenic liquid oxygen, stainless steel of 3xx series is often the preferred material. TFM, PTFE or glass filled PTFE are inert in oxygen and are considered standard seat and seal materials for oxygen service.

**Warning! Delrin (Acetal resin) seats and Nylatron stem thrust seals MUST NOT BE USED IN OXYGEN SERVICE.**

Habonim oxygen service valves may be used with both liquid and gaseous oxygen. For temperatures below -60°C (-76°F), we recommend using Habonim's Cryogenic valves series.

## Cleaning, Assembling and Packing

A meticulous cleaning and assembly procedure minimize the ignition hazards that can be caused by the presence of hydrocarbon oil, grease, and metal chips.

**Our process of cleaning, assembling and packing refers to international standards in partial or in full:**

ASTM A380 | CGA G 4.1 | EN 12300

Habonim uses an environment friendly, alkaline-based degreasing process with controlled parameters. Valves are assembled in an oil-free restricted area by personnel who are specially equipped and trained to perform this task. The assembling area, work surfaces, equipment and tools are specially maintained to ensure cleanliness requirements are met.

- Valves are capped ends and plastic bagged
- Each valve is packed with a 'Silica-gel pack'
- A sticker on the plastic bag indicating "oxygen use"

## Optional Accessories

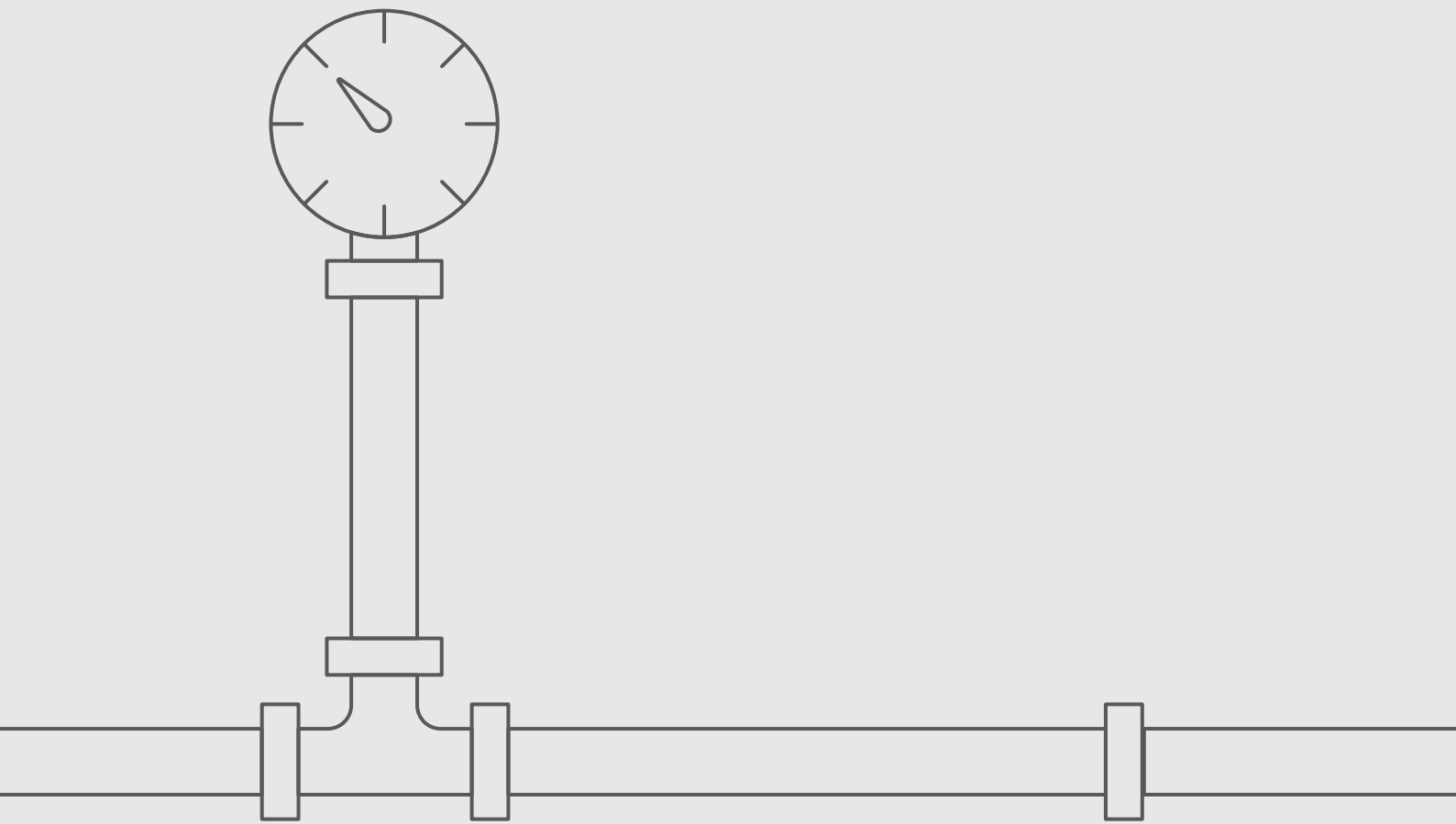
### Locking Device (LD)

As a safety measure, it is advisable that valve for ammonia service should be equipped with spring loaded locking device do avoid unauthorized or unintentional valve operation.

For mor information see Habonim Valve Accessories catalog.



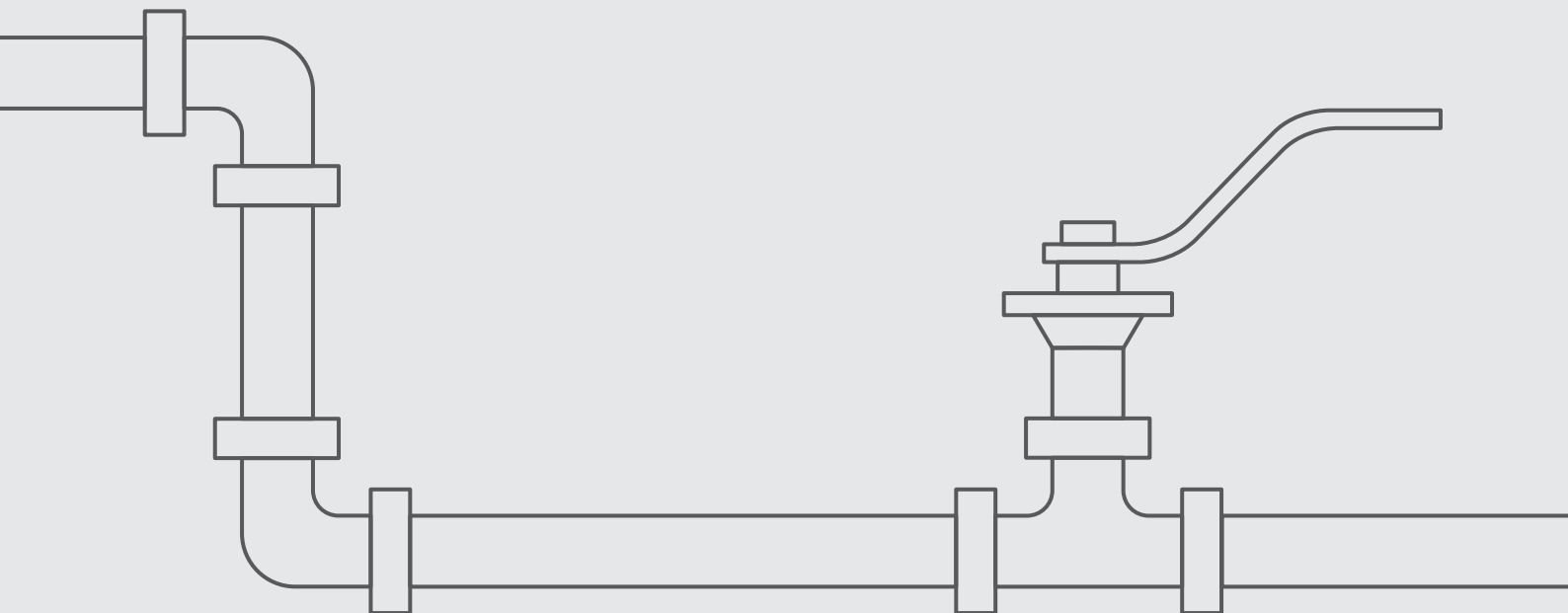
Fail Close Assembly





# CHLORINE SERVICE

## BALL VALVES



## Chlorine Service Ball Valves (K)

HABONIM ball valves for chlorine service are designed for use with chlorine, cleaned and assembled with required measures for a safe use in chlorine service equipment and avoid valve contamination to the media purity. Some of the designs comply with the Chlorine Institute Pamphlet 6: "Piping Systems for Dry Chlorine".

### Chlorine

Chlorine is a hazardous and toxic material that irritates the respiratory, with a distinctive pungent odor. Chlorine, chemical element symbol Cl, is nonflammable in both gaseous and liquid states however; chlorine gas is a strong oxidizer, which may react with flammable materials, and can support combustion when combined with other substances.

The Chlorine gas has an irritating odor that many people can detect with as little as 3.5ppm (parts per million) chlorine present. Breathing air containing more than 1000 ppm of chlorine might be fatal.

Chlorine density is 3.2 kg/m<sup>3</sup> (1.013 bar at 0 °C), because it is heavier than air, it tends to accumulate at the bottom of poorly ventilated spaces. Chlorine boiling point -34.04 °C (-29.27 °F) at a pressure of 1 atmosphere, the liquid must be stored under high pressure or at low temperature. Chlorine melting point is -101.5 °C (-150.7 °F).

### Chlorine Uses

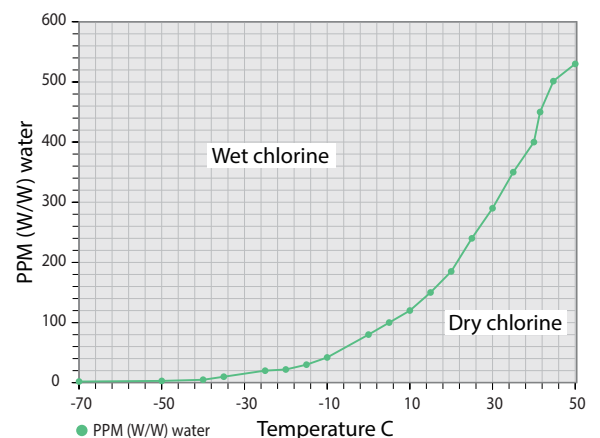
Chlorine is mainly used in manufacturing chemicals; including solvents, pesticides and herbicides, plastics and fibers, refrigerants and propellants. It is also an ingredient in bleach, deodorizer and disinfectant. In addition, chlorine is widely used in bleaching pulp, paper and textiles; disinfecting drinking water and swimming pool purification; plus in sanitation of industrial and sewage wastes.

### 'Chlorine' term

Gas and liquid refer to the physical state of chlorine itself; dry and wet refer to the content of moisture within the gas or liquid. **Dry chlorine is either gaseous or liquid chlorine with less than 150 ppm of water by weight.** Chlorine containing more than 150 ppm is considered as wet chlorine, gas or liquid.

**Note: HABONIM offers metallic valves only for dry chlorine!**

Solubility of Water in Liquid Chlorine



## General

Chlorine Service feature is available for part of Habonim's valves series – check series ordering codes for availability. Available valve sizes, types and variety of end connections are per each relevant series ordering codes.

### Design

Valves designed for chlorine in a liquid state should be equipped with an upstream pressure relief hole in the ball (Ordering code -P250). The relief hole avoids trapped cavities in the valve closed position and pressure buildup due to thermal expansion during liquid ammonia boil off. A valve with relief hole in the ball is uni-directional, the relief hole must be positioned at the upstream flow direction for complete in-line sealing. For Bi-directional valve design for liquid chlorine a Self-Relief Seats (Ordering code -SRS) should be used with seats material of TFM or CF PTFE, the SRS seat design dynamically release cavity pressure buildup and return to shutoff position once the over pressure is relieved. Valves designed for chlorine in the gaseous state do not require an upstream pressure relief hole.



**Self-Relieving-Seat (SRS)**

### Valve Materials for dry chlorine

Valves for dry Chlorine Systems are used with chlorine in gas or liquid state, usually at temperatures between -101 °C (-150 °F) and +149 °C (+300 °F). Steel piping is commonly used for handling dry chlorine, defined as containing no more than 150 PPM of water by weight. Stainless steels of types 3xx might fail due to chloride stress cracking, particularly in presence of moisture at ambient and elevated temperatures. Monel 400 and Alloy C22, or Alloy C276 are the recommended materials for ball and stem, with TFM or CF PTFE seats. Body and stem seals can be PTFE, CF PTFE or graphite for fire-safe valves.

Moisture Level	Recommended Material
0 - 20 PPM	Alloy C22 ball and Monel 400 stem
20 - 50 PPM	Alloy C22 ball and stem
0 - 50 PPM	Alloy C22 ball and stem (for end of line service)

Note: For higher moisture levels up to 150 PPM, Alloy C22 is the recommended material of construction for all metal parts.



**Cavity pressure relief (P250 Ball)**

3 mm relief hole face the upstream

The following material of construction are recommended for dry chlorine service by the Chlorine Institute, Pamphlet #6:

Temperature	-29 °C (-20 °F) to 149 °C (300 °F)	-46 °C (-50 °F) to 149 °C (300 °F)	-60 °C (-76 °F) to 149 °C (300 °F)
Fluid State	Gas or Liquid (<150ppm water)	Gas or Liquid (<150ppm water)	Gas or Liquid (<150ppm water)
Ends	Threaded, Welded, Flanged	Threaded, Welded, Flanged	Threaded, Welded, Flanged
Body/Ends	A216 WCB, Alloy C22, Alloy C276	A352 LCB, Alloy C22, Alloy C276	LF2, Alloy C22, Alloy C276
Ball/Stem	Alloy C22, Alloy C276	Alloy C22, Alloy C276	Alloy C22, Alloy C276
Bolts	ASTM A193 Grade B7, B7M (Ferritic Steels)	ASTM A320 Grade L7	ASTM A320 Grade L7
Nuts	ASTM A194 Grade 2H, 2HM (Carbon Steel)	ASTM A194 Grade 4 (Carbon-Molybdenum steel)	ASTM A194 Grade 4 (Carbon-Molybdenum steel)
Seats	PTFE, TFM	PTFE, TFM	PTFE, TFM
Seals	PTFE, Graphite	PTFE, Graphite	PTFE, Graphite

**Warning: The HermetiX™ stem seal valve for chlorine service include different material than PEEK.**

## Cleaning, Assembling and Packing

All valve components used for chlorine service, in gaseous or liquid state, are de-burred to a high standard and specifically cleaned to remove any traces of oil, grease or hydrocarbon materials prior to assembly.

Chlorine service valves are assembled in an oil-free restricted area by personnel who are specially equipped and trained to perform this task. The assembling area, work surfaces, equipment and tools are specially maintained to ensure cleanliness requirements are met.

Only lubricants compatible with chlorine are used.

- Valves are packed in open position with capped ends and plastic bagged
- Each valve is packed with a 'Silica-gel pack'
- A sticker on the plastic bag indicating "Chlorine Service"

## Optional Accessories

### Locking Device (LD)

As a safety measure, it is advisable that valve for ammonia service should be equipped with spring loaded locking device do avoid unauthorized or unintentional valve operation.

For more information see Habonim Valve Accessories catalog.



Fail Close Assembly



## About Habonim

Ball Valves & Actuators for the most demanding, challenging and hazardous applications are our passion and profession for the last 70 years.

We believe in designing, manufacturing and supplying control and shutoff components and solutions that improves the overall safety, integrity and sustainability of the systems they are installed in.

Designed, manufactured and tested according to the highest standards, our products allow us to partner within systems that flow and control varied gases and liquids in diverse markets especially where extreme temperatures and pressures are involved, hazardous materials are used and system performances are critical.

We are leading in cryogenic ball valve-based control solutions, emergency shutoff and specially designed solutions.

Believing that supplying and developing the most effective, safe and reliable products for the global leaders in the LNG and Gas distribution market continually challenges us to improve our capabilities and products.

Best coping with our prestigious customers' most challenging requirements technically, operationally and commercially is our promise fulfilled for decades.

### Performing in Demanding Applications

