

VALVE ACCESSORIES

Fugitive Emission Bonnet (FE)

A device for improved Fugitive Emission prevention from valve stem sealing. The device adds a secondary sealing layer on top of the valve integral steam sealing.

Features

- Secondary HermetiX or High temperature graphite sealing arrangement.
- Any media that might breach the valve stem seal is contained within the device bonnet until valve maintenance can be safely held.
- The bonnet design allows a sensing device to be fitted between the two sealing arrangements, allow immediate breach identification or alerting.
- A machined lip on the bonnet bottom plane ensures a safe fit over the valve ISO pad. A static seal provides sealing to the atmosphere.
- Double blowout proof stems.
- Linear alignment between valve stem, extension and actuator to reduce side load.



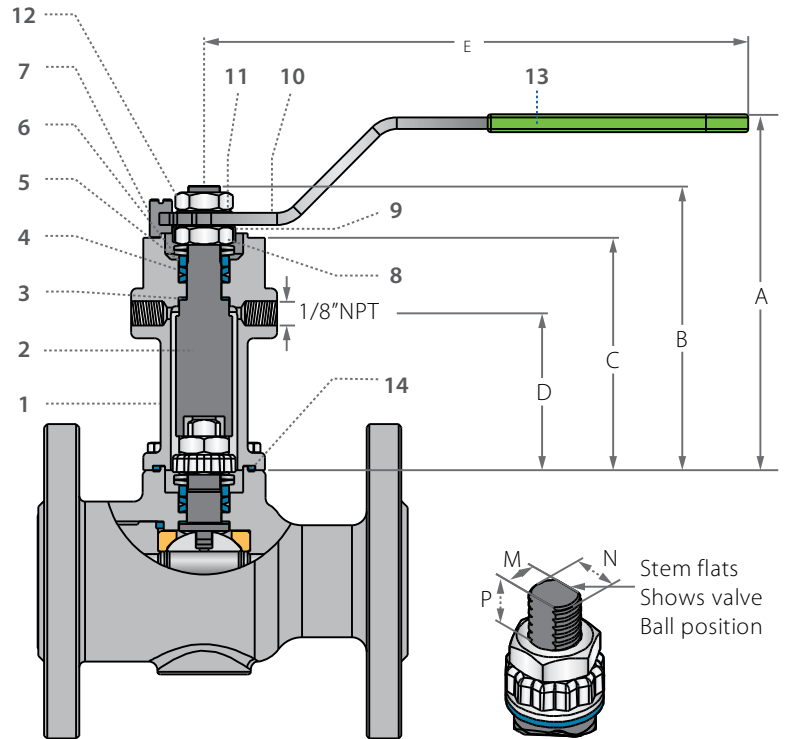


Fugitive Emission Bonnet (FE)

Device dimensions

Components & materials

Item	Description	Material specification	Qty.
1	Body	Acc. Ordering Code	1
2	Stem	Acc. Ordering Code	1
3	Stem thrust seal	Virgin PEEK	1
4	Stem seal	TFM	1
5	Follower	S. Steel	1
6	Disc spring	S. Steel	2
7	Stop pin	S. Steel	1
8	Stem nut	S. Steel	1
9	Locking clip	S. Steel	1
10	Handle	S. Steel	1
11	Serrated washer	S. Steel	1
12	Handle nut	S. Steel	1
13	Handle sleeve	PVC	1
14	Bonnet seal	PTFE / GRAPHITE	1



Dimensions

Valve size	FE Size	A	B	C	D	S	M	N	P	F
DN15 & DN20 1/2" & 3/4"	05	114.00 4.48	89.10 3.50	80.00 3.15	55.25 2.17	150.00 5.90	5.50 0.21	3/8" UNF	7.20 (F03) 0.28	36.00 1.42
DN25 & DN32 1" & 1 1/4"	10	122.00 4.83	97.40 3.83	80.00 3.15	54.00 2.12	187.00 7.36	7.54 0.29	1/2" UNF	7.20 (F04) 0.28	42.00 1.65
DN40 & DN50 1 1/2" & 2"	15	154.00 6.03	129.40 5.09	100.00 3.93	77.00 3.03	236.00 9.29	8.71 0.34	3/4" UNF	80.00 (F05) 0.31	50.00 1.97
DN65 2 1/2"	25	144.00 5.66	118.10 4.65	100.00 3.93	76.50 3.01	236.00 9.29	8.71 0.34	1" UNF	13.50 (F07) 0.53	70.00 2.76

F.E. Stem operating torque

Reduced port Valve size	FE Size	HC / HermetiX™		AI packing		Control valves (N) / Graphite packing (KG)	
		N*m	lbf*inch	N*m	lbf*inch	N*m	lbf*inch
DN15 & DN20 1/2" & 3/4"	05	2.00	17.70	3.00	26.50	4.00	35.40
DN25 & DN32 1" & 1 1/4"	10	5.00	44.20	7.00	62.00	9.00	79.60
DN40 & DN50 1 1/2" & 2"	15	7.00	62.00	11.00	97.30	13.00	115.00
DN65 2 1/2"	25	7.00	62.00	11.00	97.30	13.00	115.00

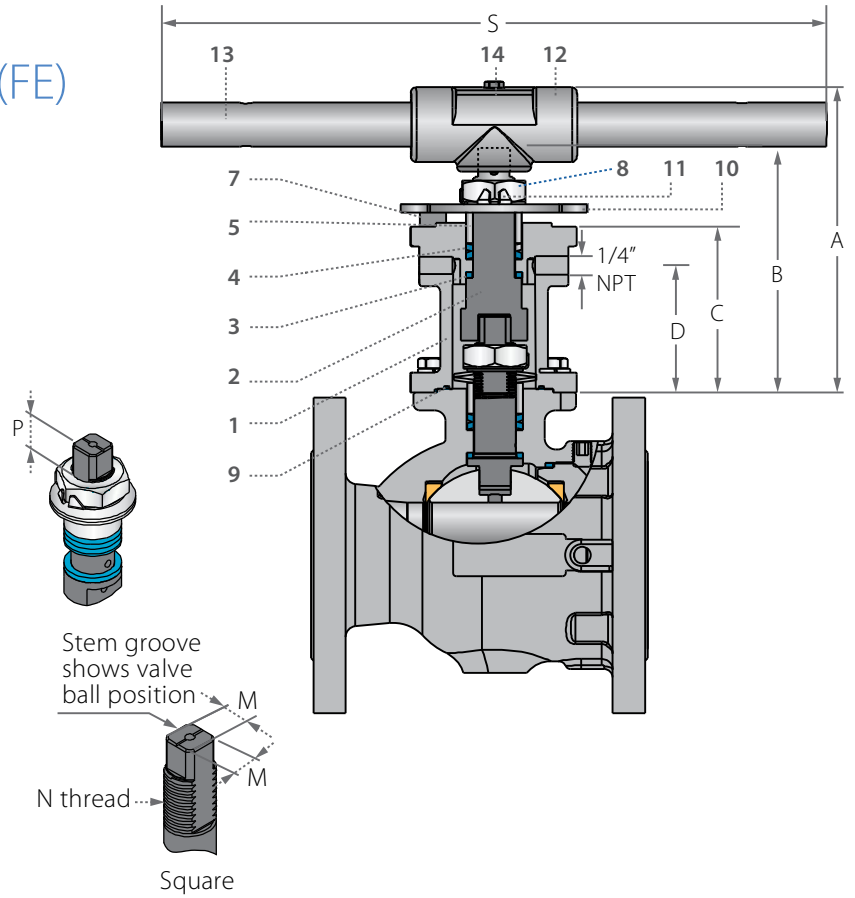
Note: When sizing an actuator add the above figures to the valve operating torque

Fugitive Emission Bonnet (FE)

Device dimensions

Components & materials

Item	Description	Material specification	Qty.
1	Body	Acc. Ordering Code	1
2	Stem	Acc. Ordering Code	1
3	Stem thrust seal	Virgin PEEK	1
4	Stem seal	TFM	1
5	Follower	S. Steel	1
6	Disc spring	S. Steel	2
7	Stop pin	S. Steel	1
8	Stem nut	S. Steel	1
9	Bonnet seal	PTFE / GRAPHITE	1
10	Stop plate	S. Steel	1
11	Tab lock washer	ASTM A240 304	1
12	Wrench head	S. Steel	1
13	Wrench handle	304	1
14	Wrench handle bolt	ISO 4014 A2-70	1



FE dimensions

Valve size	FE Size	A	B	C	D	S	M	N	P	F	
DN80 & DN100	mm	87.00	196.00	150.00	76.50	401.00	18.90	1" -14	16.70	(F10)	102.00
3" & 4"	inch	7.36	7.74	5.90	3.01	15.79	0.74	UNS-2A	0.66		4.02
DN150 & DN200	mm	273.00	219.00	150.00	100.00	401.00	18.90	1" -14	16.70	(F12)	125.00
6" & 8"	inch	10.74	8.62	5.90	3.93	15.79	0.74	UNS-2A	0.66		4.92

FE Stem operating torque

Reduced port Valve size	FE Size	HC / HermetiX™		Al packing		Control valves (N) / Graphite packing (KG)	
		N*m	lbf*inch	N*m	lbf*inch	N*m	lbf*inch
DN80 & DN100 3" & 4"	30	13.00	115.00	18.00	159.30	25.00	221.20
DN150 & DN200 6" & 8"	60	32.00	283.00	43.00	380.50	60.00	531.00