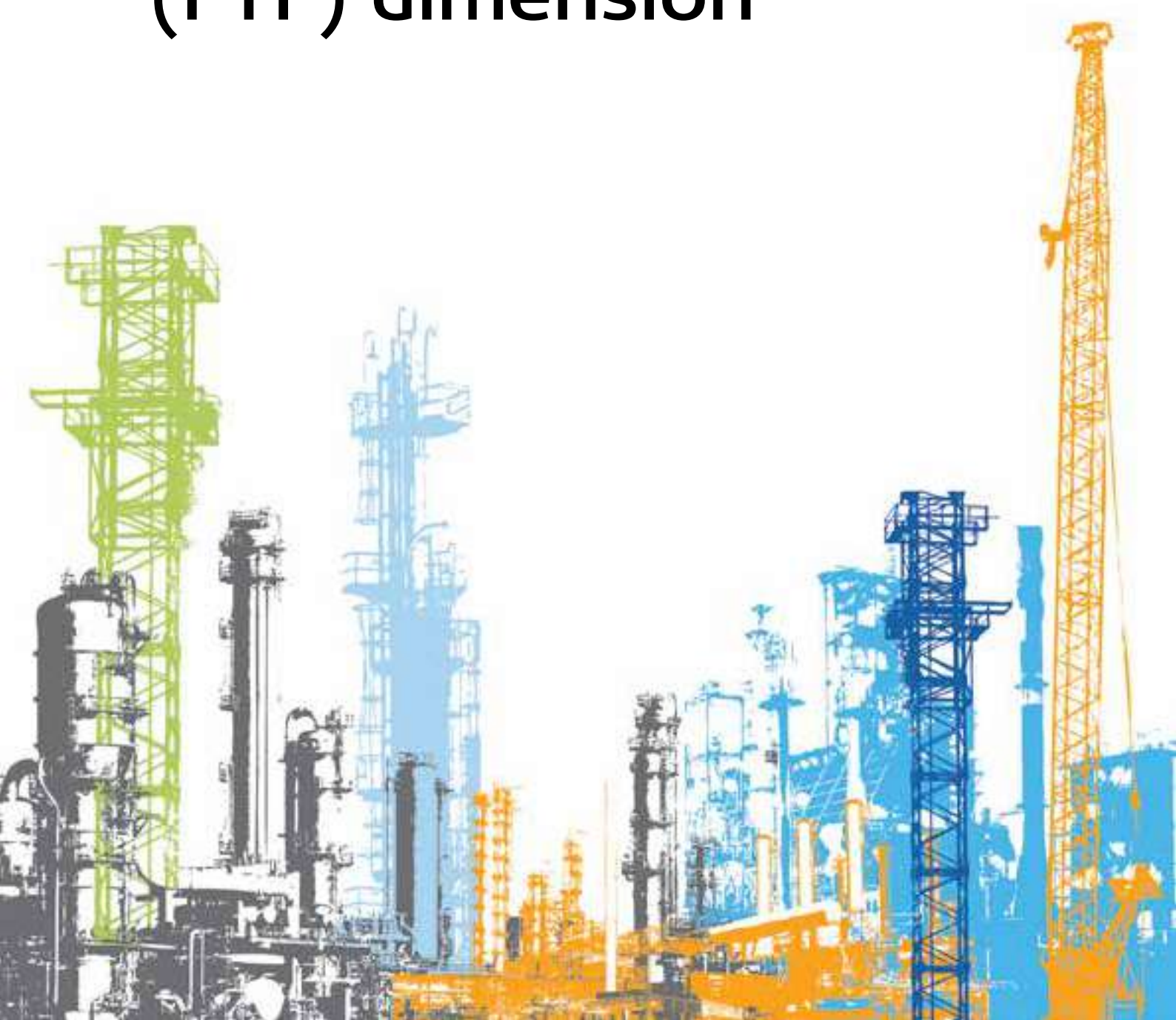


# Technical information Valve Face-to-Face (FTF) dimension



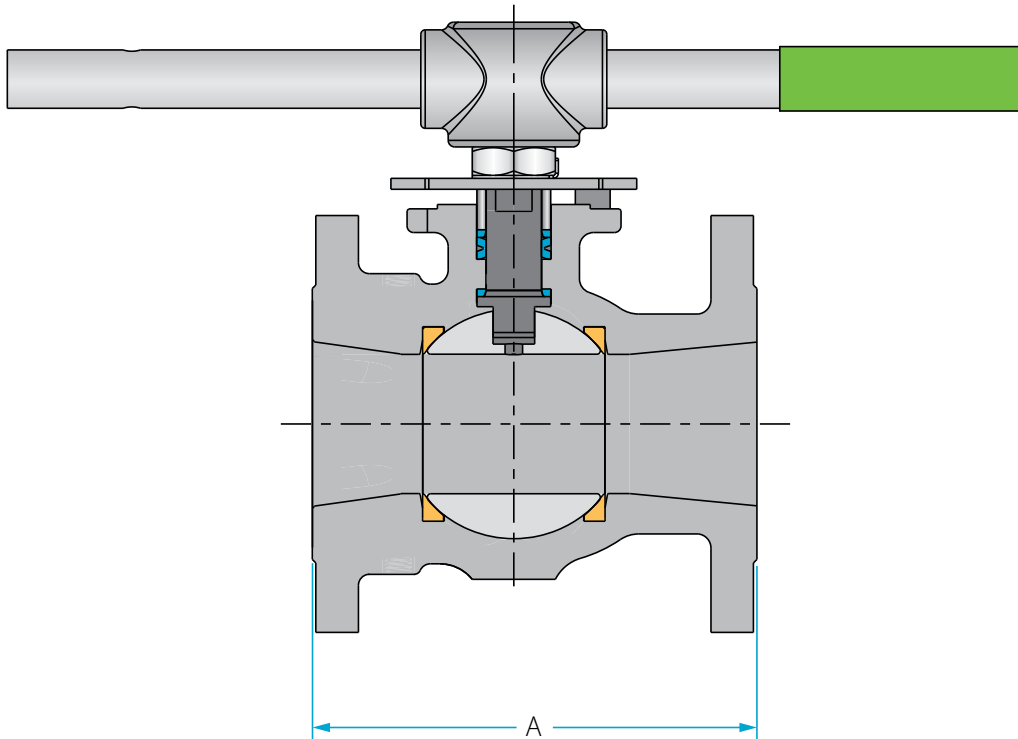
## Valve Face-to-Face (FTF) dimension

### ANSI B16.10 Raised Face

Size		Class 150				Class 300				Class 600		Class 900		Class 1500		Class 2500	
Inch	DN	Short Pattern		Long Pattern		Short Pattern		Long Pattern		Long Pattern		Long Pattern					
		mm	inch	mm	inch	mm	inch	mm	inch	mm	inch	mm	inch	mm	inch	mm	inch
1/2"	15	108.00	4.25	108.00	4.25	140.00	5.50	140.00	5.50	165.00	6.50	216.00	8.50	216.00	8.50	264.00	10.38
3/4"	20	117.00	4.62	117.00	4.62	152.00	6.00	152.00	6.00	190.00	7.50	229.00	9.00	229.00	9.00	273.00	10.75
1"	25	127.00	5.00	127.00	5.00	165.00	6.50	165.00	6.50	216.00	8.50	254.00	10.00	254.00	10.00	308.00	12.12
1 1/4"	32	140.00	5.50	140.00	5.50	178.00	7.00	178.00	7.00	229.00	9.00	279.00	11.00	279.00	11.00	349.00	13.75
1 1/2"	40	165.00	6.50	165.00	6.50	190.00	7.50	190.00	7.50	241.00	9.50	305.00	12.00	305.00	12.00	384.00	15.12
2"	50	178.00	7.00	178.00	7.00	216.00	8.50	216.00	8.50	292.00	11.50	368.00	14.50	368.00	14.50	451.00	17.75
2 1/2"	65	190.00	7.50	190.00	7.50	241.00	9.50	241.00	9.50	330.00	13.00	419.00	16.50	419.00	16.50	508.00	20.00
3"	80	203.00	8.00	203.00	8.00	282.00	11.12	282.00	11.12	356.00	14.00	381.00	15.00	470.00	18.50	578.00	22.75
4"	100	229.00	9.00	229.00	9.00	305.00	12.00	305.00	12.00	432.00	17.00	457.00	18.00	546.00	21.50	673.00	26.50
6"	150	267.00	10.50	394.00	15.50	403.00	15.88	403.00	15.88	559.00	22.00	610.00	24.00	705.00	27.75	914.00	36.00
8"	200	292.00	11.50	457.00	18.00	419.00	16.50	502.00	19.75	660.00	26.00	737.00	29.00	832.00	32.75	1022.00	40.25
10"	250	330.00	13.00	533.00	21.00	457.00	18.00	568.00	22.38	787.00	31.00	838.00	33.00	991.00	39.00	1270.00	50.00
12"	300	356.00	14.00	610.00	24.00	502.00	19.75	648.00	25.50	838.00	33.00	965.00	38.00	1130.00	44.50	1422.00	56.00
14"	350	381.00	15.00	686.00	27.00	572.00	22.50	762.00	30.00	889.00	35.00	1029.00	40.50	1257.00	49.50	-	-
16"	400	406.00	16.00	762.00	30.00	610.00	24.00	838.00	33.00	991.00	39.00	1130.00	44.50	1384.00	54.50	-	-

### ANSI B16.10 Ring Type Joint (RTJ)

Size		Class 150				Class 300				Class 600		Class 900		Class 1500		Class 2500	
Inch	DN	Short Pattern		Long Pattern		Short Pattern		Long Pattern		Long Pattern		Long Pattern					
		mm	inch	mm	inch	mm	inch	mm	inch	mm	inch	mm	inch	mm	inch	mm	inch
1/2"	15	108.00	4.25	108.00	4.25	151.00	5.94	151.00	5.94	163.00	6.44	216.00	8.50	216.00	8.50	264.00	10.38
3/4"	20	117.00	4.62	117.00	4.62	165.00	6.50	165.00	6.50	190.00	7.50	229.00	9.00	229.00	9.00	273.00	10.75
1"	25	140.00	5.50	140.00	5.50	178.00	7.00	178.00	7.00	216.00	8.50	254.00	10.00	254.00	10.00	308.00	12.12
1 1/4"	32	153.00	6.00	153.00	6.00	191.00	7.50	191.00	7.50	229.00	9.00	279.00	11.00	279.00	11.00	352.00	13.87
1 1/2"	40	178.00	7.00	178.00	7.00	203.00	8.00	203.00	8.00	241.00	9.50	305.00	12.00	305.00	12.00	387.00	15.24
2"	50	191.00	7.50	191.00	7.50	232.00	9.12	232.00	9.12	295.00	11.62	371.00	14.62	371.00	14.62	454.00	17.87
2 1/2"	65	203.00	8.00	203.00	8.00	257.00	10.12	257.00	10.12	333.00	13.12	422.00	16.62	422.00	16.62	514.00	20.25
3"	80	216.00	8.50	216.00	8.50	298.00	11.74	298.00	11.74	359.00	14.12	384.00	15.12	473.00	18.62	584.00	23.00
4"	100	242.00	9.50	242.00	9.50	321.00	12.62	321.00	12.62	435.00	17.12	460.00	18.12	549.00	21.62	683.00	26.88
6"	150	280.00	11.00	407.00	16.00	419.00	16.50	419.00	16.50	562.00	22.12	613.00	24.12	711.00	28.00	927.00	36.50
8"	200	305.00	12.00	470.00	18.50	435.00	17.12	518.00	20.37	663.00	26.12	740.00	29.12	842.00	33.13	1038.00	40.87
10"	250	343.00	13.50	546.00	21.50	473.00	18.62	584.00	23.00	790.00	31.12	841.00	33.12	1001.00	39.38	1292.00	50.88
12"	300	369.00	14.50	623.00	24.50	518.00	20.37	664.00	26.12	841.00	33.12	968.00	38.12	1146.00	45.12	1444.00	56.88
14"	350	394.00	15.50	699.00	27.50	588.00	23.12	778.00	30.62	892.00	35.12	1039.00	40.88	1276.00	50.25	-	-
16"	400	419.00	16.50	775.00	30.50	626.00	24.62	854.00	33.62	994.00	39.12	1140.00	44.88	1406.00	55.38	-	-



DIN 3202-1 Raised Face

Size		F1		F2		F4		F5	
Inch	DN	mm	inch	mm	inch	mm	inch	mm	inch
1/2"	15	130.00	5.12	210.00	8.27	115.00	4.53	-	-
3/4"	20	150.00	5.91	230.00	9.06	120.00	4.72	-	-
1"	25	160.00	6.30	230.00	9.06	125.00	4.92	120.00	4.72
1 1/4"	32	180.00	7.09	260.00	10.24	130.00	5.12	140.00	5.51
1 1/2"	40	200.00	7.87	260.00	10.24	140.00	5.51	240.00	9.45
2"	50	230.00	9.06	300.00	11.81	150.00	5.91	250.00	9.84
2 1/2"	65	290.00	11.42	340.00	13.39	170.00	6.69	270.00	10.63
3"	80	310.00	12.20	380.00	14.96	180.00	7.09	280.00	11.02
4"	100	350.00	13.78	430.00	16.93	190.00	7.48	300.00	11.81
6"	150	480.00	18.90	550.00	21.65	210.00	8.27	350.00	13.78
8"	200	600.00	23.62	650.00	25.59	230.00	9.06	400.00	15.75
10"	250	730.00	28.74	775.00	30.51	250.00	9.84	450.00	17.72
12"	300	850.00	33.46	900.00	35.43	270.00	10.63	500.00	19.69
14"	350	980.00	38.58	1025.00	40.35	290.00	11.42	550.00	21.65
16"	400	1100.00	43.31	1150.00	45.28	310.00	12.20	600.00	23.62



[www.habonim.com](http://www.habonim.com)

**Habonim ISRAEL**

Tel: +972-4-6914911

Fax: +972-4-6914935

[sales\\_international@habonim.com](mailto:sales_international@habonim.com)

**Habonim EUROPE**

Tel: +34 640 384 759

[sales\\_eu@habonim.com](mailto:sales_eu@habonim.com)

**Habonim UK**

Tel: +44-1633-484554

Fax: +44-1633-482252

[sales\\_uk@habonim.com](mailto:sales_uk@habonim.com)

**Habonim USA**

Toll Free Phone: 1-866-261-8400

Toll Free Fax: 1-866-243-9959

[sales\\_usa@habonim.com](mailto:sales_usa@habonim.com)

**Habonim CHINA**

Tel: + 86 21 64453190 \*146

[sales\\_china@habonim.com](mailto:sales_china@habonim.com)

**Habonim AUSTRALIA**

Tel: +61 3 9556 5428

[sales\\_au@habonimau.com](mailto:sales_au@habonimau.com)



[www.habonim.com](http://www.habonim.com)

MAXMARK Technical Information-FTF 04/17 REV2.04

MAXMARK

