



**ITIS B.V.**  
 Daniëlsweg 6  
 NL-4451 HP Heinkenszand  
 T + 31 113 568515  
 info@itis-nl.com  
 www.itis-nl.com

ITIS Certificate  
 22043-C001 revision 2  
 Annex 1: F47X drawing  
 Annex 2: F47W drawing



Industrie Service

# API607 AND ISO 10497 FIRE TEST QUALIFICATION CERTIFICATE

This certificate is to certify that the valve below has been tested in accordance with and meets all limits stated in API Standard 607, sixth edition September 2010; Fire test for quarter turn valves and valves with non metallic seats, and ISO 10497 third edition 2010-02-15 Testing of valves - Fire- type testing requirements.

**Test valve details**

Manufacturer : Habonim Industrial Valves & Actuators  
 Address : Kfar Hanassi 12305  
 Nominal size : DN50 2 inch  
 Pressure rating : 300 lbs  
 Type : AF47X-6666PG/05 NPT (Split body floating ball valve)  
 Weight : 5.5 kg (approximately)  
 Bore : full bore  
 Drawing number : 20-AF47X-FIRE-TEST rev. N 04-04-2012  
 Body material : A351 CF8M  
 Body seal material : Graphite  
 Ball material : A351 CF8M  
 Seat material : CF PTFE (NRG)  
 Stem material : A479 316L  
 Stem seal material : CF PTFE (NRG) (1x), stem trust seal: PEEK® (2x)  
 Serial number : 22043001  
 Markings on valve : Materials, size and class on valve tag plate, serial no. On valve body  
 Gearbox fitted : No

**Scope of other sizes, pressures and materials qualified by this test.**

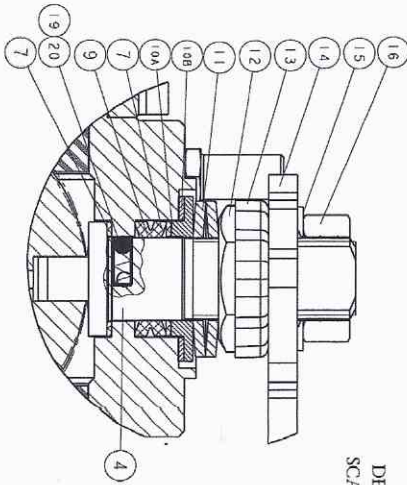
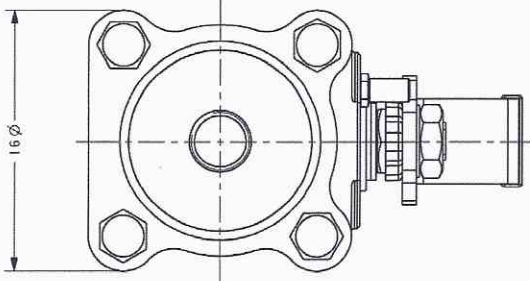
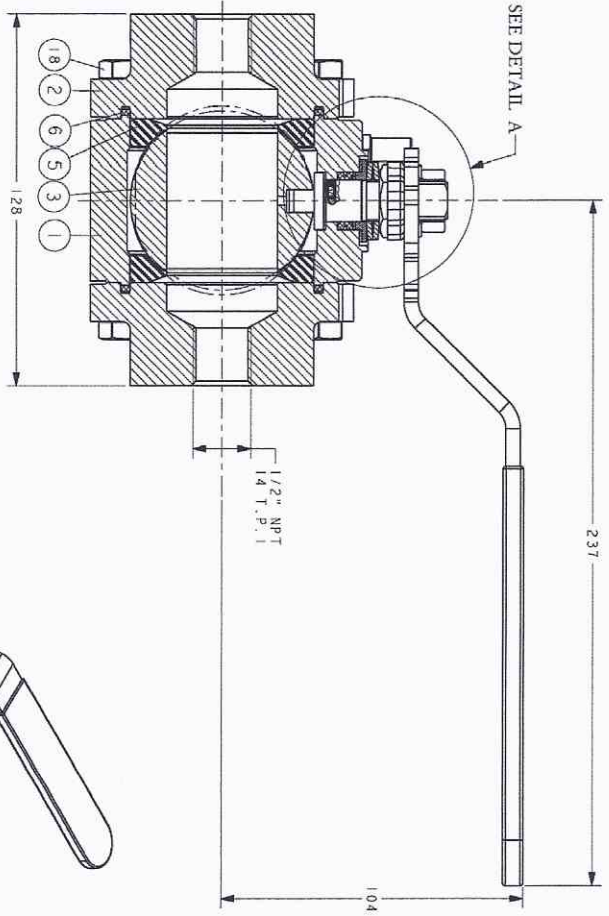
For material qualification see paragraph 7.2 in report mentioned below.

Valve types with same basic design as tested valve. According Habonim information	7.3 Nominal Size	7.4 Pressure rating
F47X becomes F47W	NPS 2inch and below, 2½, 3 and 4 inch DN50 and below, DN65, 80 and 100	Class 300, 400 and 600 PN40, PN63 and PN100

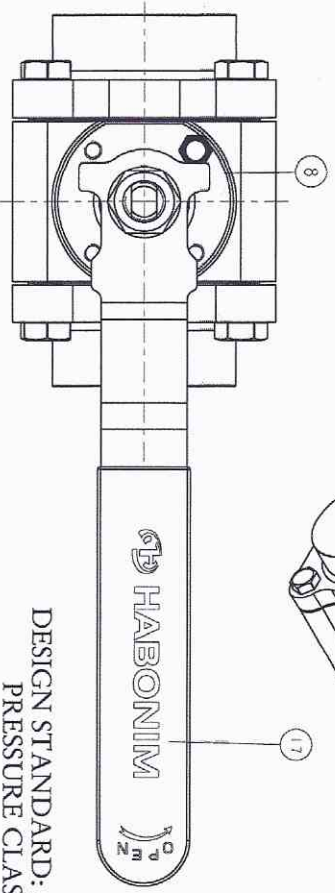
This certificate is only valid in conjunction with the full ITIS BV test report number 22043-R001

Signature operator (ITIS)  
 F. Huiszoon  
  
 F. Huiszoon  
 11-07-2013

Agreed authority (TUV SUD)  
 P. Deleu  
  
 11-07-2013



DETAIL A  
SCALE 1:800

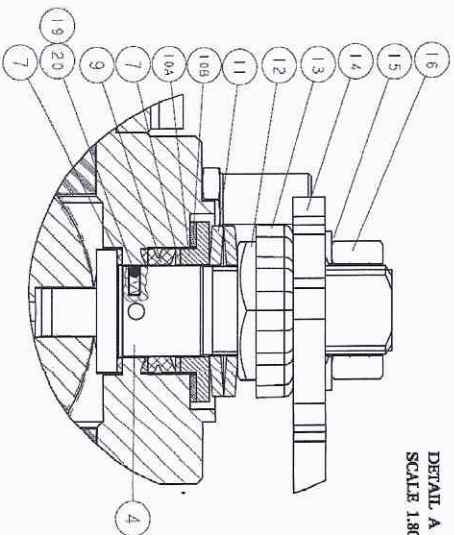
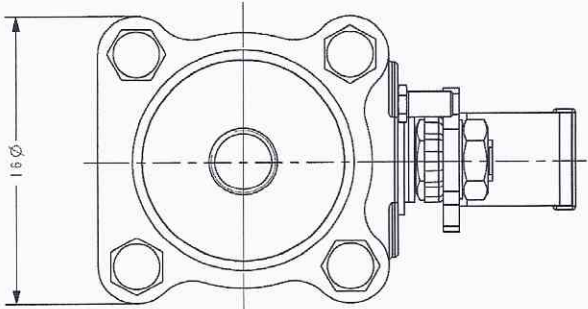
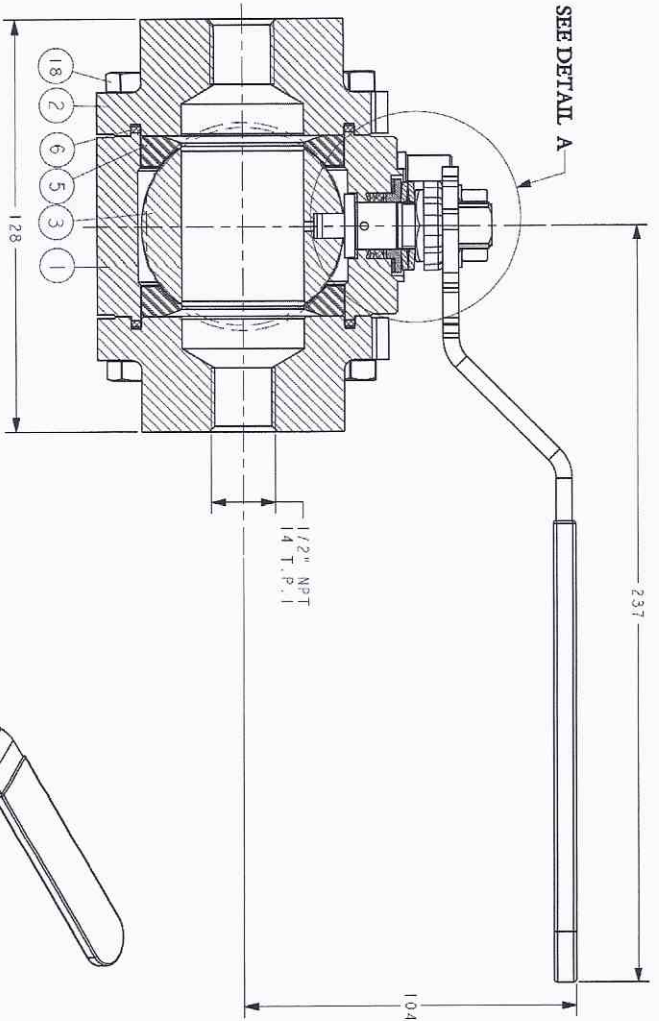


DESIGN STANDARD: ASME B16.34  
PRESSURE CLASS: #300  
APPROX. WEIGHT: 5.5 Kg

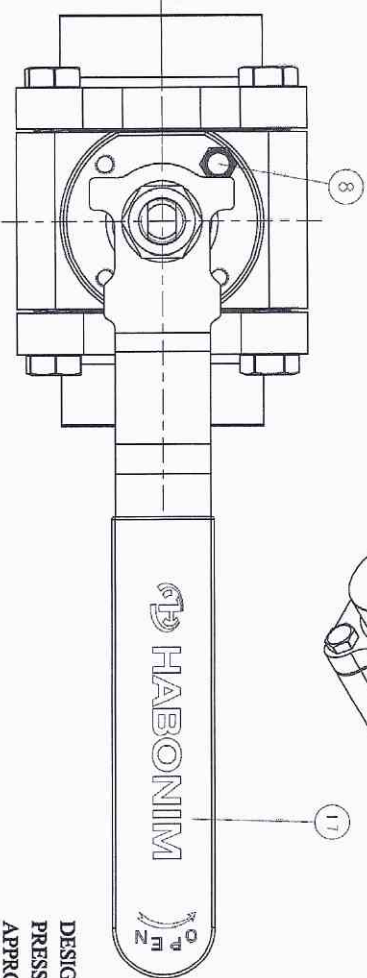
Item	Description	Material Specifications	Qty
1	Body	A351 CF8M	1
2	End connector	A351 CF8M	2
3	Ball	A351 CF8M	1
4	Stem	A479 316L	1
5	Seat	CE PTFE (NIRG)	2
6	Body seal	Graphite	2
7	Stem thrust seal	PEEK®	2
8	Stop pin	A502 303	1
9	Stem packing	CE PTFE (NIRG)	1
10A	Follower	A479 316L	1
10B	Sliding Washer	Sintered Bronze	1
11	Disc spring	A693 631	2
12	Stem nut	A194 8M, 8MA	1
13	Locking clip	A164 8, 8A	1
14	Handle	A240 430	1
15	Serrated washer	A194 6	1
16	Handle nut	A194 8M, 8MA	1
17	Sleeve	Mylar/Plasticol	1
18	Body bolt	A193 B8, B8A, B8M, B8MA, B8M2, B8M3	8
19	Anti static spring	AQ13 302	1
20	Anti static ball	A479 304	1

1	DESIGNED BY	REV. DATE	14-01-12
2	CHECKED BY	REV. DATE	12-11-11
3	APPROVED BY	REV. DATE	08-02-11

02-2535920	TEST	02-2535920	WATER VALVE	CONC. 06
02-2535920	TEST	02-2535920	WATER VALVE	CONC. 06
DATE: 28-06-11	CHECKED:	DATE:	DATE:	DATE:
HABONIM INDUSTRIAL VALVE LTD.				
2" AP47X SEE VALVE WITH 1/2" THD ENDS FOR FIRE TEST				
HC				



Item	Description	Material Specifications	Qty.
1	Body	A351 CF8M	1
2	End connector	A351 CF8M	2
3	Ball	A351 CF8M	1
4	Stem	AA79 316L	1
5	Seat	CF PTFE (NRG)	2
6	Body seal	Graphite	2
7	Stem thrust seal	PEEK®	2
8	Stop pin	A682 303	1
9	Stem packing	CF PTFE (NRG)	1
10A	Follower	AA79 316L	1
10B	Sliding Washer	TF-316	1
11	Die spring	A693 631	2
12	Stem nut	A194 8M, 8MA	1
13	Locking clip	A164 6, 8A	1
14	Handle	A240 430	1
15	Serrated washer	A194 6	1
16	Handle nut	A194 8M, 8MA	1
17	Sleeve	Vinyl Plasticsol	1
18	Body bolt	A193 B6, B8A, B8M, B8MA, B8M/2, B8M/3	8
19	Anti static spring	A613 302	1
20	Anti static ball	AA79 304	1



DESIGN STANDARD: ASME B16.34  
 PRESSURE CLASS: #300  
 APPROX. WEIGHT: 5.5 Kg

<b>HABONIM Industrial Valves &amp; Actuators</b>		Drawing No. 20-F47W-FIRE-TEST Item No. 0R2583520-FIRE-TEST Made From 0R2583520	
General Information LINEAR TOLERANCES: ± 0.25 ANGULAR TOLERANCES: ± 0.5° SURFACE FINISH: R8 (Um: 0.009)		Approvals Drawn By: Name: DO N. Name: HA00 Sig: Date: 28-8-11 Approved By: Name: MG Sig: Date:	
Product Name: 2" F47W VALVE FOR FIRE TEST		Rev. HA00 MG	

CHANGE	WAS	HA
--------	-----	----