



**ITIS B.V.**  
 Daniëlsweg 6  
 NL-4451 HP Heinkenszand  
 T + 31 113 568515  
 info@itis-nl.com  
 www.itis-nl.com

ITIS Certificate  
 22043-C002 revision 2  
 Annex 1: F31X drawing  
 Annex 2: F31W drawing



Industrie Service

# API607 AND ISO 10497 FIRE TEST QUALIFICATION CERTIFICATE

This certificate is to certify that the valve below has been tested in accordance with and meets all limits stated in API Standard 607, sixth edition September 2010; Fire test for quarter turn valves and valves with non metallic seats, and ISO 10497 third edition 2010-02-15 Testing of valves - Fire- type testing requirements.

**Test valve details**



Manufacturer : Habonim Industrial Valves & Actuators  
 Address : Kfar Hanassi 12305  
 Nominal size : DN50 2 inch  
 Pressure rating : 150 lbs  
 Type : AF31X-4466PG/150 (Side entry floating ball valve)  
 Weight : 8 kg (approximately)  
 Bore : reduced bore  
 Drawing number : 20-AF31X-FIRE-TEST rev. N 04-04-2012  
 Body material : A216 WCB  
 Body seal material : Graphite  
 Ball material : A351 CF8M  
 Seat material : CF PTFE (NRG)  
 Stem material : A479 316L  
 Stem seal material : CF PTFE (NRG) (1x), stem trust seal: PEEK® (2x)  
 Serial number : 22043002  
 Markings on valve : Materials, size and class on valve tag plate, serial no. On flange  
 Gearbox fitted : No

**Scope of other sizes, pressures and materials qualified by this test.**

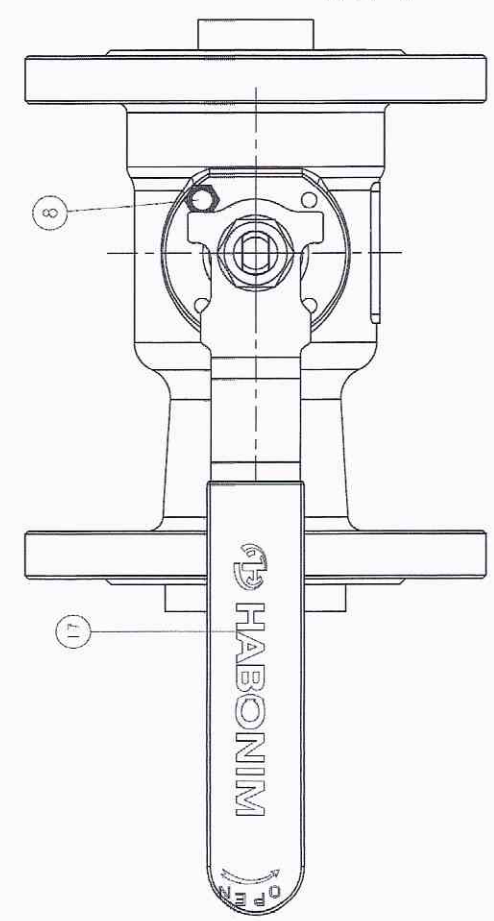
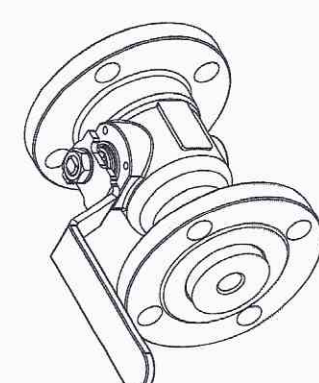
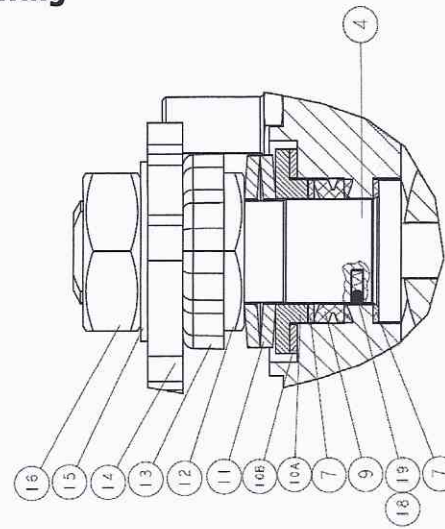
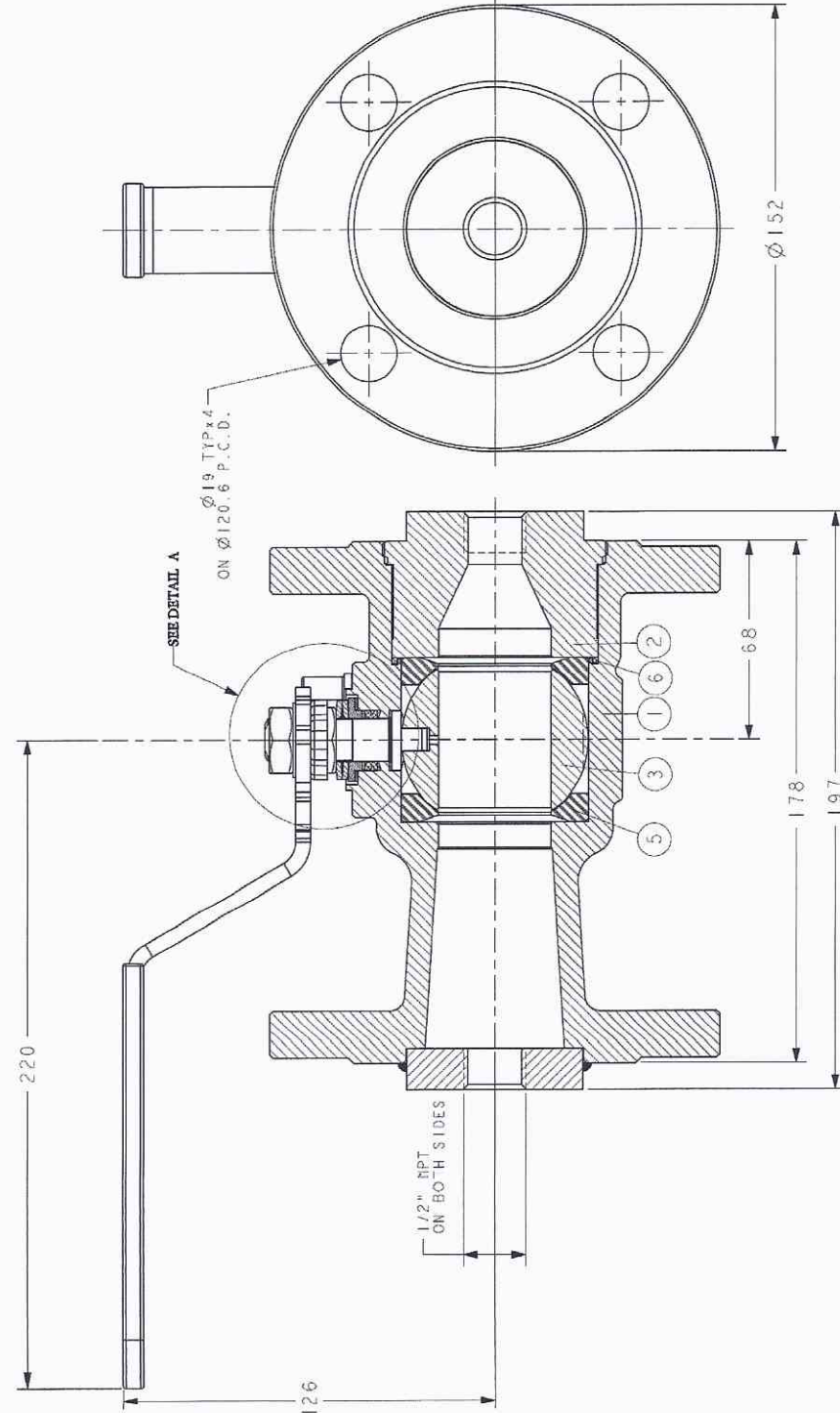
For material qualification see paragraph 7.2 in report mentioned below.

Valve types with same basic design as tested valve. According Habonim information	7.3 Nominal Size	7.4 Pressure rating
F31X becomes F31W	2inch and below, 2½, 3 and 4 inch DN50 and below, DN65, 80 and 100	Class 150 PN10, PN16,
F32X becomes F32W	2inch and below, 2½, 3 and 4 inch DN50 and below, DN65, 80 and 100	Class 300 PN25 and PN40

This certificate is only valid in conjunction with the full ITIS BV test report number 22043-R002

<p>Signature operator (ITIS)          F. Huiszoon</p>  <p>11-07-2013</p>	<p>Agreed authority (TÜV SÜD)          P. Deleu</p>  <p>11-07-2013</p>
---	--

Item	Description	Material Specifications	Qty.
1	Body	A216 WCB	1
2	Plug	A216 WCB	1
3	Ball	A351 CF8M	1
4	Stem	A479 316L	1
5	Seat	CF PTFE (NRG)	2
6	Body seal	Graphite	2
7	Stem thrust seal	PEEK®	2
8	Stop pin	A582 303	1
9	Stem packing	CF PTFE (NRG)	1
10A	Follower	A479 316L	1
10B	Sliding Washer	TF316	1
11	Disc spring	A693 631	2
12	Stem nut	A194 8M, 8MA	1
13	Locking clip	A164 8, 8A	1
14	Handle	A240 430	1
15	Serrated washer	A194 6	1
16	Handle nut	A194 8M, 8MA	1
17	Sleeve	Vinyl Plastisol	1
18	Anti static spring	A313 302	1
19	Anti static ball	A479 304	1



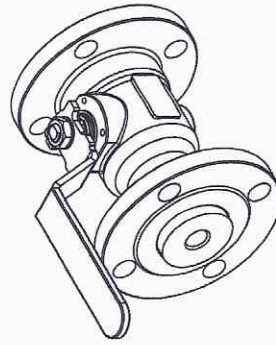
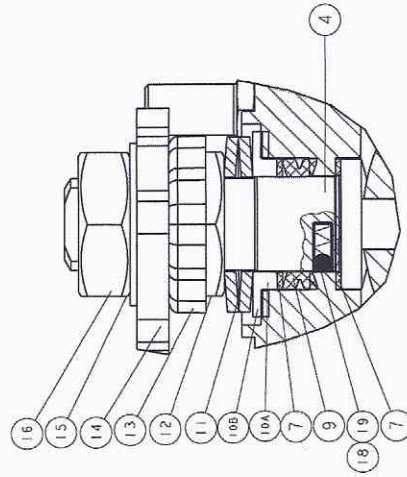
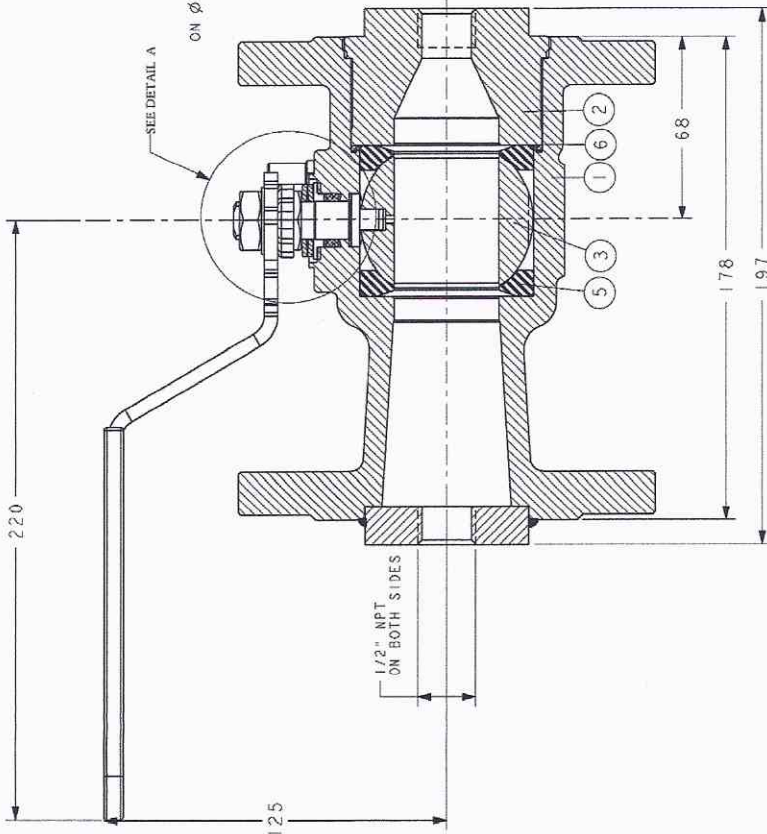
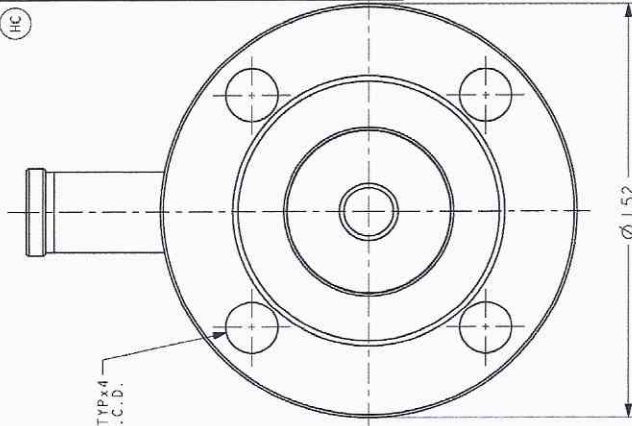
DESIGN STANDARD: ASME B16.34  
 PRESSURE CLASS: #150  
 APPROX. WEIGHT: 8 Kg

HABONIM Industrial Valves & Actuators		Approvals	
Drawing No. 20-F31W-FIRE-TEST	General Information	Drawn By	Approved By
Item No. Made From	LINEAR TOLERANCES: ± 0.25	Name: IDO N.	Name:
OR2348820-FTEST OR2348820	ANGULAR TOLERANCES: ± 0.5°	Sign:	Sign:
	SURFACE FINISH: N6	Date: 20-06-11	Date:
	Unit: (MM)	Part No. 20-F31W-FIRE-TEST	Product Name. 2" F31W VALVE FOR FIRE TEST

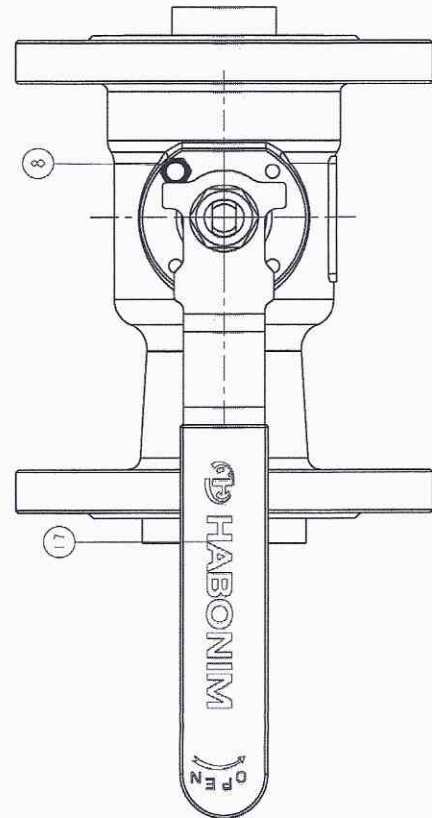


22043-C002 revision 2 Annex 1 F31X drawing

Item	Description	Material Specifications	Qty.
1	Body	A216 WCB	1
2	Plug	A216 WCB	1
3	Ball	A351 CF8M	1
4	Stem	A479 316L	1
5	Seat	CFPTFE (NRG)	2
6	Body seal	Graphite	2
7	Stem thrust seal	PEEK®	2
8	Step pin	A582 303	1
9	Stem packing	CFPTFE (NRG)	1
10A	Follower	A479 316L	1
10B	Sliding Washer	Sintered Bronze	1
11	Disc spring	A693 631	2
12	Stem nut	A194 8M, 8MA	1
13	Locking clip	A164 B, 8A	1
14	Handle	A240 430	1
15	Serrated washer	A194 6	1
16	Handle nut	A194 8M, 8MA	1
17	Sleeve	Vinyl Plastisol	1
18	Anti static spring	A313 302	1
19	Anti static ball	A479 304	1



DESIGN STANDARD: ASME B16.34  
 PRESSURE CLASS: #150  
 APPROX. WEIGHT: 8 Kg



02248820-F TEST	02248820	CODE: 06
PART NO.	MATERIAL	LINEAR TOLERANCES: ±0.5°
DATE: 28.06.11	PPH	ANGULAR TOLERANCES: ±0.5°
CHECKED:	DRWING NO.	QUANTITY: 1
DATE:	20-AF-31X-FIRE-TEST	PART NO.: 02248820-FIRE-TEST
HABONIM INDUSTRIAL VALVE LTD.		
הבונים בדרום תל אביב		
14/04/12 2:50	MG	2" AF31X SER. VALVE
13/03/11 2:05	MG	WITH 1/2" NPT FLANGES FOR FIRE TEST
CHANGE	MAS	0.00
CHANGE	MAS	HC